

UNIVERSITY  
of  
OTAGO



*Te Whare Wānanga o Otāgo*

**GAPSS 2002-2011  
(Gay Auckland Periodic Sex Survey)  
and  
GOSS 2006-2011  
(Gay men's Online Sex Survey)**

**Basic Frequencies  
Report to the Ministry of Health**

**AIDS Epidemiology Group  
August 2012**

Peter Saxton<sup>1</sup>  
Nigel Dickson<sup>1</sup>  
Tony Hughes<sup>2</sup>

<sup>1</sup> AIDS Epidemiology Group

<sup>2</sup> New Zealand AIDS Foundation

## Acknowledgements

The Gay Auckland Periodic Sex Surveys (GAPSS) 2002, 2004, 2006, 2008 and 2011 and the Gay men's Online Sex Surveys (GOSS) 2006, 2008 and 2011 were jointly undertaken by the AIDS Epidemiology Group (AEG), Department of Preventive and Social Medicine, University of Otago and the Research, Analysis and Information Unit at the New Zealand AIDS Foundation (NZAF). The studies received funding from the Ministry of Health, the NZAF and the University of Otago.

Dr Peter Saxton performed part of this work while in receipt of a Faculty of Health Sciences PhD Scholarship at the University of Otago, Dunedin.

The authors of this report would particularly like to acknowledge:

- The 11,627 responses from men who have sex with men who freely gave their time to complete the surveys since 2002.
- The recruitment coordinators in 2011 Dr John Rowden and Dr Richard Griffiths.
- The recruitment teams for the GAPSS surveys.
- The management and staff of the Big Gay Out, saunas, sex-on-site venues and gay bars who generously allowed us to use their premises.
- Staff of the NZAF for feedback and suggestions on survey content and recruitment strategies.
- The anonymous volunteers who helped pilot test the offline and online questionnaires.

Contact details for this report:      AIDS Epidemiology Group (Auckland)  
University of Otago House  
Level 4, 385 Queen Street  
Auckland  
New Zealand  
Ph. 09 373 9725  
[peter.saxton@otago.ac.nz](mailto:peter.saxton@otago.ac.nz)  
[www.otago.ac.nz/aidsepigroup](http://www.otago.ac.nz/aidsepigroup)

Suggested citation:

Saxton P, Dickson N. & Hughes A. *GAPSS 2002-2011 and GOSS 2006-2011: Basic Frequencies Report to the Ministry of Health*. Dunedin: AIDS Epidemiology Group, University of Otago, 2012.

## Tables in this report

Table 1. Sample size by site (GAPSS).....	8
Table 2. Sample size by online source (GOSS).....	8
Table 3. Place of residence (GAPSS).....	8
Table 4. Place of residence (GOSS).....	9
Table 5. Sexual identity (GAPSS).....	10
Table 6. Sexual identity (GOSS).....	10
Table 7. Age group (GAPSS).....	10
Table 8. Age group (GOSS).....	10
Table 9. Ethnic group (GAPSS)*.....	11
Table 10. Ethnic group (GOSS)*.....	11
Table 11. Highest education (GAPSS).....	12
Table 12. Highest education (GOSS).....	12
Table 13. Employment status (GAPSS).....	13
Table 14. Employment status (GOSS).....	13
Table 15. Free time spent with other gay men (GAPSS).....	14
Table 16. Free time spent with other gay men (GOSS).....	14
Table 17. Had sex with a man in the previous 6 months (GAPSS).....	15
Table 18. Had sex with a man in the previous 6 months (GOSS).....	15
Table 19. Had sex with a woman in the previous 6 months (GAPSS).....	15
Table 20. Had sex with a woman in the previous 6 months (GOSS).....	15
Table 21. Number of male sexual partners in previous 6 months (GAPSS).....	16
Table 22. Number of male sexual partners in previous 6 months (GOSS).....	16
Table 23. Types of sexual relationships over the previous 6 months (GAPSS).....	17
Table 24. Types of sexual relationships over the previous 6 months (GOSS).....	17
Table 25. Had a regular sexual partner at time of survey (GAPSS).....	18
Table 26. Had a regular sexual partner at time of survey (GOSS).....	18
Table 27. Type of regular sexual partner at time of survey (GAPSS)*.....	18
Table 28. Type of regular sexual partner at time of survey (GOSS).....	18
Table 29. Length of current regular sexual relationship – Boyfriend type (GAPSS).....	19
Table 30. Length of current regular sexual relationship – Boyfriend type (GOSS).....	19
Table 31. Length of current regular sexual relationship – Fuckbuddy type (GAPSS).....	20
Table 32. Length of current regular sexual relationship – Fuckbuddy type (GOSS).....	20
Table 33. Live with current regular sexual partner - Boyfriend (GAPSS).....	21
Table 34. Live with current regular sexual partner - Boyfriend (GOSS).....	21
Table 35. Live with current regular sexual partner - Fuckbuddy (GAPSS).....	21
Table 36. Live with current regular sexual partner - Fuckbuddy (GOSS).....	21
Table 37. Result of current regular partner’s latest HIV test – Boyfriend type (GAPSS).....	22
Table 38. Result of current regular partner’s latest HIV test – Boyfriend type (GOSS).....	22
Table 39. Result of current regular partner’s latest HIV test – Fuckbuddy type (GAPSS).....	23
Table 40. Result of current regular partner’s latest HIV test – Fuckbuddy type (GOSS).....	23
Table 41. Belief about current regular partner’s latest HIV test – Boyfriend type (GAPSS).....	24
Table 42. Belief about current regular partner’s latest HIV test – Boyfriend type (GOSS).....	24
Table 43. Belief about current regular partner’s latest HIV test – Fuckbuddy type (GAPSS).....	25
Table 44. Belief about current regular partner’s latest HIV test – Fuckbuddy type (GOSS).....	25
Table 45. Anal sex with current regular sexual partner - Boyfriend (GAPSS).....	26
Table 46. Anal sex with current regular sexual partner - Boyfriend (GOSS).....	26
Table 47. Anal sex with current regular sexual partner - Fuckbuddy (GAPSS).....	26
Table 48. Anal sex with current regular sexual partner - Fuckbuddy (GOSS).....	26
Table 49. Condom use with current regular sexual partner - Boyfriend (GAPSS).....	27
Table 50. Condom use with current regular sexual partner - Boyfriend (GOSS).....	27
Table 51. Condom use with current regular sexual partner - Boyfriend (GAPSS).....	27
Table 52. Condom use with current regular sexual partner - Boyfriend (GOSS).....	27
Table 53. Condom use with current regular sexual partner - Fuckbuddy (GAPSS).....	28
Table 54. Condom use with current regular sexual partner - Fuckbuddy (GOSS).....	28
Table 55. Condom use with current regular sexual partner - Fuckbuddy (GAPSS).....	28
Table 56. Condom use with current regular sexual partner - Fuckbuddy (GOSS).....	28
Table 57. Anal sex with casual sexual partner/s (GAPSS).....	29
Table 58. Anal sex with casual sexual partner/s (GOSS).....	29
Table 59. Condom use with casual sexual partner/s (GAPSS).....	30
Table 60. Condom use with casual sexual partner/s (GOSS).....	30
Table 61. Condom use with casual sexual partner/s (GAPSS).....	30

Table 62. Condom use with casual sexual partner/s (GOSS) .....	30
Table 63. Condom use with casual sexual partner/s (GAPSS) .....	31
Table 64. Condom use with casual sexual partner/s (GOSS) .....	31
Table 65. Type of partner (GAPSS) .....	32
Table 66. Type of partner (GOSS) .....	32
Table 67. Relative age of last anal sex partner (GAPSS) .....	33
Table 68. Relative age of last anal sex partner (GOSS) .....	33
Table 69. Place met last anal sex partner – regular boyfriend (GAPSS) .....	34
Table 70. Place met last anal sex partner – regular fuckbuddy or casual or anonymous (GAPSS) .....	34
Table 71. Place met last anal sex partner – regular boyfriend (GOSS) .....	35
Table 72. Place met last anal sex partner – regular fuckbuddy or casual or anonymous (GOSS) .....	35
Table 73. Usual assumed residence of last anal sex partner (GAPSS) .....	36
Table 74. Usual assumed residence of last anal sex partner (GOSS) .....	36
Table 75. Usual assumed number of sexual contacts of last anal sex partner (GAPSS) .....	37
Table 76. Usual assumed number of sexual contacts of last anal sex partner (GOSS) .....	37
Table 77. Condom use during last anal sex – all partner types (GAPSS) .....	38
Table 78. Condom use during last anal sex– all partner types (GOSS) .....	38
Table 79. Condom use during last anal sex – boyfriend (GAPSS) .....	39
Table 80. Condom use during last anal sex– fuckbuddy (GAPSS) .....	39
Table 81. Condom use during last anal sex– casual or anonymous (GAPSS) .....	39
Table 82. Condom use during last anal sex – boyfriend (GOSS) .....	40
Table 83. Condom use during last anal sex– fuckbuddy (GOSS) .....	40
Table 84. Condom use during last anal sex– casual or anonymous (GOSS) .....	40
Table 85. Ever had HIV test (GAPSS) .....	41
Table 86. Ever had HIV test (GOSS) .....	41
Table 87. When was last HIV test (GAPSS) .....	42
Table 88. When was last HIV test (GOSS) .....	42
Table 89. Result of last HIV test (GAPSS) .....	43
Table 90. Result of last HIV test (GOSS) .....	43
Table 91. HIV test status – all respondents (GAPSS) .....	43
Table 92. HIV test status – all respondents (GOSS) .....	43
Table 93. Place went for last HIV test (GAPSS) .....	44
Table 94. Place went for last HIV test (GOSS) .....	44
Table 95. Currently on antiretroviral therapy? (GAPSS) .....	45
Table 96. Currently on antiretroviral therapy? (GOSS) .....	45
Table 97. Belief about current HIV status – non-tested HIV positive respondents (GAPSS) .....	46
Table 98. Belief about current HIV status – non-tested HIV positive respondents (GOSS) .....	46
Table 99. Sexual health checkup or treatment last 12 months (GAPSS) .....	47
Table 100. Sexual health checkup or treatment last 12 months (GOSS) .....	47
Table 101. Places went for checkup last 12 months (GAPSS) .....	47
Table 102. Places went for checkup last 12 months (GOSS) .....	47
Table 103. Ever diagnosed with an STI? (GAPSS) .....	47
Table 104. Ever diagnosed with an STI? (GOSS) .....	48
Table 105. Diagnosed with an STI in the last 12 months?* (GAPSS) .....	48
Table 106. Diagnosed with an STI in the last 12 months?* (GOSS) .....	48
Table 107. Diagnosed with the following STI in the last 12 months?* (GAPSS) .....	49
Table 108. Diagnosed with the following STI in the last 12 months?* (GOSS) .....	49
Table 109. Frequency of amyl use during sex in the last 6 months (GAPSS) .....	50
Table 110. Frequency of amyl use during sex in the last 6 months (GOSS) .....	50
Table 111. Frequency of group sex in the last 6 months (GAPSS) .....	51
Table 112. Frequency of group sex in the last 6 months (GOSS) .....	51
Table 113. Injecting drug use in the last 6 months (GAPSS) .....	52
Table 114. Injecting drug use in the last 6 months (GOSS) .....	52
Table 115. The message “Get it On! Is... (GAPSS) .....	53
Table 116. The message “Get it On! Is... (GOSS) .....	53
Table 117. Anal sex without a condom is very high risk for HIV transmission (GAPSS) .....	54
Table 118. Anal sex without a condom is very high risk for HIV transmission (GOSS) .....	54
Table 119. Oral sex is low risk for HIV transmission (GAPSS) .....	55
Table 120. Oral sex is low risk for HIV transmission (GOSS) .....	55
Table 121. HIV is more easily transmitted to others in the first few weeks after infection (GAPSS) .....	56
Table 122. HIV is more easily transmitted to others in the first few weeks after infection (GOSS) .....	56
Table 123. HIV cannot pass through an undamaged latex condom (GAPSS) .....	57
Table 124. HIV cannot pass through an undamaged latex condom (GOSS) .....	57
Table 125. It’s much easier to transmit HIV through anal sex than vaginal sex (GAPSS) .....	58

Table 126. It's much easier to transmit HIV through anal sex than vaginal sex (GOSS) .....	58
Table 127. Most new HIV infections in New Zealand occur among MSM (GAPSS) .....	59
Table 128. Most new HIV infections in New Zealand occur among MSM (GOSS) .....	59
Table 129. HIV is a less serious threat than it used to be because of new treatments (GAPSS) .....	60
Table 130. HIV is a less serious threat than it used to be because of new treatments (GOSS) .....	60
Table 131. Condoms are ok as part of sex (GAPSS) .....	61
Table 132. Condoms are ok as part of sex (GOSS) .....	61
Table 133. I'd sometimes rather risk HIV transmission than use a condom during anal sex (GAPSS) ..	62
Table 134. I'd sometimes rather risk HIV transmission than use a condom during anal sex (GOSS) ....	62
Table 135. I don't like wearing condoms because they reduce sensitivity (GAPSS) .....	63
Table 136. I don't like wearing condoms because they reduce sensitivity (GOSS) .....	63
Table 137. A man who knows he has HIV would tell me he was positive before we had sex (GAPSS) ..	64
Table 138. A man who knows he has HIV would tell me he was positive before we had sex (GOSS)...	64
Table 139. The sex I have is always as safe as I want it to be (GAPSS) .....	65
Table 140. The sex I have is always as safe as I want it to be (GOSS) .....	65
Table 141. In the last year I've seen safe sex messages that were relevant to me (GAPSS) .....	66
Table 142. In the last year I've seen safe sex messages that were relevant to me (GOSS) .....	66
Table 143. I'd like to be better informed about HIV transmission risks (GAPSS) .....	67
Table 144. I'd like to be better informed about HIV transmission risks (GOSS) .....	67
Table 145. I'd like to be better informed about anal health (GAPSS) .....	68
Table 146. I'd like to be better informed about anal health (GOSS) .....	68
Table 147. I would never be willing to use condoms for anal sex (GAPSS) .....	69
Table 148. I would never be willing to use condoms for anal sex (GOSS) .....	69
Table 149. There is a condom culture among the men I have sex with (GAPSS) .....	70
Table 150. There is a condom culture among the men I have sex with (GOSS) .....	70
Table 151. In the last six months, have you had sex with a man you met on the Internet? (GAPSS) ....	71
Table 152. In the last six months, have you had sex with a man you met on the Internet? (GOSS) .....	71
Table 153. Frequency going online to look for men in the last month (GOSS) .....	71
Table 154. Frequency of visiting GayNZ.com website (GAPSS) .....	72
Table 155. Frequency of visiting GayNZ.com website (GOSS) .....	72
Table 156. Frequency of visiting Expresstoday.co.nz website (GAPSS) .....	73
Table 157. Frequency of visiting Expresstoday.co.nz website (GOSS) .....	73
Table 158. Frequency of reading Express magazine (GAPSS) .....	74
Table 159. Frequency of reading Express magazine (GOSS) .....	74
Table 160. Active Internet profile on various websites (GAPSS) .....	75
Table 161. Active Internet profile on various websites (GOSS) .....	75
Table 162. Frequency of using Express magazine (GAPSS) .....	76
Table 163. Frequency of using Express magazine (GOSS) .....	76
Table 164. Frequency of using GayNZ.com (GAPSS) .....	76
Table 165. Frequency of using GayNZ.com (GOSS) .....	76
Table 166. Frequency of using Facebook (GAPSS) .....	77
Table 167. Frequency of using Facebook (GOSS) .....	77
Table 168. Frequency of using NZDating (GAPSS) .....	77
Table 169. Frequency of using NZDating (GOSS) .....	77
Table 170. Frequency of using BroOnline (GAPSS) .....	78
Table 171. Frequency of using BroOnline (GOSS) .....	78
Table 172. Frequency of using GetitOn.co.nz (GAPSS) .....	78
Table 173. Frequency of using GetitOn.co.nz (GOSS) .....	78
Table 174. Frequency of using Gay.co.nz (GAPSS) .....	79
Table 175. Frequency of using Gay.co.nz (GOSS) .....	79
Table 176. Frequency of using Gaydar (GAPSS) .....	79
Table 177. Frequency of using Gaydar (GOSS) .....	79
Table 178. Frequency of using Grindr (GAPSS) .....	80
Table 179. Frequency of using Grindr (GOSS) .....	80

## Introduction

The Gay Auckland Periodic Sex Surveys (GAPSS) and Gay men's Online Sex Surveys (GOSS) are designed as regular behavioural surveillance surveys to monitor changes in HIV risk behaviours, testing, attitudes and knowledge among the group most at risk of HIV transmission in New Zealand: men who have sex with men (MSM).<sup>1</sup>

By tracking these modifiable behaviours, attitudes and knowledge over time, behavioural surveillance helps evaluate the cumulative impact of health promotion, social marketing and other interventions directed at this population. Differences found between subgroups of MSM can inform the delivery of targeted prevention or testing services, with the aim of preventing new HIV infections.<sup>2</sup> Because particular behaviours such as condom use and HIV testing directly impact on HIV transmission and HIV diagnosis, behavioural surveillance can also help explain past and predict future patterns in HIV spread, and help interpret findings from epidemiological surveillance.

Recruitment for GAPSS has been undertaken consistently among MSM since 2002 at a gay community fair day in Auckland, and in gay bars and sex-on-site venues over the subsequent week (Figure 1). Since 2006, GOSS recruitment has occurred at the conclusion of GAPSS among MSM using Internet dating sites. As GAPSS respondents are ineligible from participating in GOSS in a given year, GOSS provides us with a sample of Auckland MSM who were "missed" by the offline recruitment. It also offers a picture of MSM using Internet dating sites from around New Zealand, not only in Auckland. A description of the advantages and limitations of behavioural surveillance undertaken in this way has been reported previously.<sup>3</sup>

This report presents the basic findings for GAPSS respondents 2002-2011, and for the first time, GOSS respondents 2006-2011. Findings for GAPSS and GOSS respondents are reported separately for simplicity. Summary data are presented in tables without statistical analysis so caution must be exercised before interpreting results. In particular, this report does not present whether experiences differ between subgroups of respondents, for example MSM of different ages, ethnicities or levels of sexual partnering.

For these reasons the 2011 findings are reported differently to previous GAPSS analyses provided by the research team.<sup>3</sup> The Ministry of Health has commissioned a series of small topic-based research briefs on condom use, attitudes and venue users that will examine these issues in more detail. The main purpose of this basic frequencies report is therefore to guide decisions about future analyses, and present data that might not appear in the topic-based briefs.

---

<sup>1</sup> AIDS Epidemiology Group. *AIDS – New Zealand*. Issue 69. University of Otago: Dunedin, 2012.

<sup>2</sup> UNAIDS/WHO *Second generation surveillance for HIV: the next decade*. UNAIDS/WHO Working Group on Global HIV/AIDS and STI Surveillance: Geneva, 2000.

<sup>3</sup> Saxton P, Dickson N, Hughes A. *GAPSS 2008: Findings from the Gay Auckland Periodic Sex Survey*. New Zealand AIDS Foundation: Auckland, 2010.

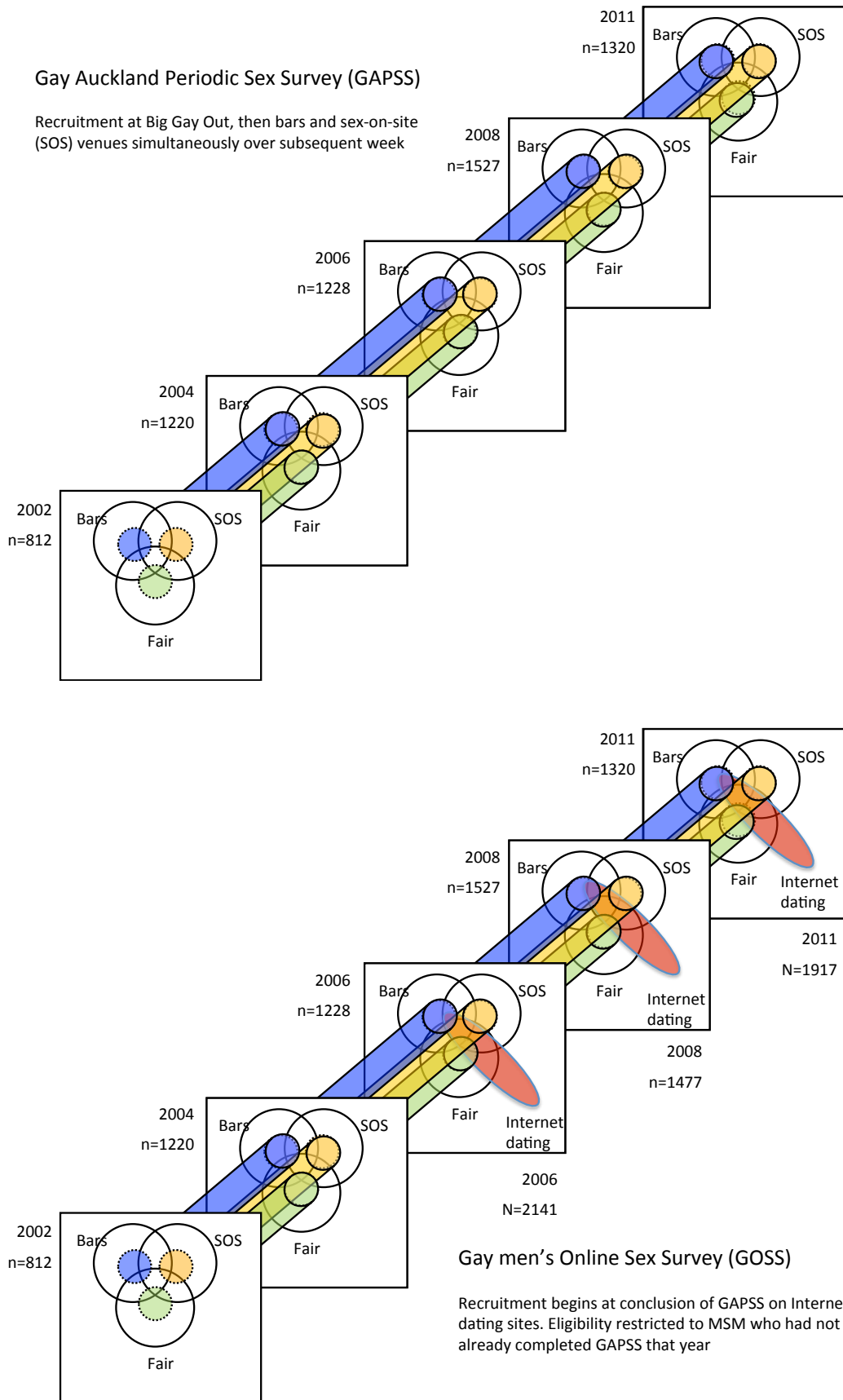


Figure 1. GAPSS and GOSS recruitment

## Sample characteristics

Table 1. Sample size by site (GAPSS)

	GAPSS offline survey round					Total
	2002	2004	2006	2008	2011	
Big Gay Out	577	833	856	1048	994	4308
	71.1	68.3	69.7	68.6	76.2	70.7
Gay bars	96	164	152	169	123	704
	11.8	13.4	12.4	11.1	9.4	11.6
Sex-on-site	139	223	220	310	187	1079
	17.1	18.3	17.9	20.3	14.3	17.7
Total	812	1220	1228	1527	1304	6091
	100.0	100.0	100.0	100.0	100.0	100.0

Table 2. Sample size by online source (GOSS)

	GOSS online survey round				Total
	2006	2008	2011		
NZ Dating	2141	1465	1633		5239
	100.0	99.2	85.2		94.7
GayNZ	-	11	-		11
		0.7			0.1
Gay.co.nz	-	-	49		49
			2.6		0.1
Gaydar	-	-	38		38
			2.0		0.1
Manhunt	-	-	195		195
			10.2		3.5
None	-	1	2		3
		0.1	0.1		0.1
Total	2141	1477	1917		5535
	100.0	100.0	100.0		100.0

Table 3. Place of residence (GAPSS)

	GAPSS offline survey round					Total
	2002	2004	2006	2008	2011	
Auckland inner district*	247	323	381	448	395	1794
	30.6	26.5	32.3	31.0	31.2	30.3
Auckland non-inner	409	646	592	700	593	2940
	50.6	53.0	50.1	48.5	46.8	49.7
Auckland Not defined	72	86	41	62	35	296
	8.9	7.1	3.5	4.3	2.8	5.0
Not Auckland	80	163	167	234	245	889
	9.9	13.4	14.1	16.2	19.3	15.0
Total	808	1218	1181	1444	1268	5919
	100.0	100.0	100.0	100.0	100.0	100.0

\*Auckland's inner district are the census area units of Herne Bay, St Mary's Bay, Auckland Central, Ponsonby West, Ponsonby East, Freeman's Bay, Westmere, Grey Lynn West, Grey Lynn East, Newton, Grafton, Surrey Crescent, Arch Hill, Eden Terrace, Newmarket, Kingsland.



Table 4. Place of residence (GOSS)

	GOSS online survey round			Total
	2006	2008	2011	
Northland	36 1.7	36 2.5	38 2.0	110 2.0
Auckland	647 30.6	446 31.2	650 34.8	1743 32.2
Hamilton	103 4.9	66 4.6	95 5.1	264 4.9
Provincial Waikato	42 2.0	26 1.8	38 2.0	106 2.0
Tauranga	36 1.7	32 2.2	50 2.7	118 2.2
Rotorua	24 1.1	15 1.1	22 1.2	61 1.1
Provincial BOP	32 1.5	17 1.2	16 0.9	65 1.2
Taupo	8 0.4	6 0.4	11 0.6	25 0.5
Gisborne	15 0.7	11 0.8	14 0.8	40 0.7
Hawkes Bay	70 3.3	39 2.7	51 2.7	160 3.0
Taranaki	36 1.7	27 1.9	41 0.8	104 1.9
Wanganui	21 1.0	13 0.9	14 0.8	48 0.9
Palmerston North	67 3.2	45 3.1	65 3.5	177 3.3
Provincial Manawatu	22 1.0	18 1.3	21 1.1	61 1.1
Wellington	355 16.8	227 15.9	309 16.5	891 16.5
Nelson/Tas Marlborough	56 2.7	43 3.0	51 2.7	150 2.8
Christchurch	302 14.3	210 14.7	219 11.7	731 13.5
Dunedin	99 4.7	66 4.6	54 2.9	219 4.0
Provincial Canterbury	37 1.8	19 1.3	32 1.7	88 1.6
Provincial Otago	24 1.1	18 1.3	34 1.8	76 1.4
Southland	31 1.5	30 2.1	33 1.8	94 1.7
Somewhere else	54 2.6	21 1.5	10 0.5	85 1.6
Total	2117 100.0	1431 100.0	1868 100.0	5416 100.0

Table 5. Sexual identity (GAPSS)

	GAPSS offline survey round					Total
	2002	2004	2006	2008	2011	
Gay/ homosexual	659 81.7	1050 86.4	1044 85.9	1287 84.8	1122 86.5	5162 85.3
Bisexual	82 10.2	126 10.4	112 9.2	179 11.8	135 10.4	634 10.5
Other*	66 8.2	40 3.3	59 4.9	51 3.4	40 3.1	256 4.2
Total	807 100.0	1216 100.0	1215 100.0	1517 100.0	1297 100.0	6052 100.0

\*Includes takataapui, heterosexual, fa'afafine, queer, and "other – not specified".

Table 6. Sexual identity (GOSS)

	GOSS online survey round			Total
	2006	2008	2011	
Gay/ homosexual	1241 58.4	980 66.4	1259 65.8	3480 63.1
Bisexual	700 32.9	411 27.9	559 29.2	1670 30.3
Other*	185 8.7	85 5.8	96 5.0	366 6.6
Total	2126 100.0	1476 100.0	1914 100.0	5516 100.0

\*Includes takataapui, heterosexual, fa'afafine, queer, and "other – not specified".

Table 7. Age group (GAPSS)

	GAPSS offline survey round					Total
	2002	2004	2006	2008	2011	
16-29	247 31.1	393 33.4	392 33.4	458 31.8	454 35.8	1944 33.2
30-44	385 48.5	496 42.2	516 44.0	559 38.9	450 35.5	2406 41.1
45 plus	162 20.4	287 24.4	266 22.7	422 29.3	364 28.7	1501 25.7
Total	794 100.0	1176 100.0	1174 100.0	1439 100.0	1268 100.0	5851 100.0

Table 8. Age group (GOSS)

	GOSS online survey round			Total
	2006	2008	2011	
16-29	971 45.7	663 46.0	804 42.4	2438 44.6
30-44	764 36.0	492 34.1	603 31.8	1859 34.0
45 plus	390 18.4	287 19.9	489 25.8	1166 21.3
Total	2125 100.0	1442 100.0	1896 100.0	5463 100.0

Table 9. Ethnic group (GAPSS)\*

	GAPSS offline survey round					Total
	2002	2004	2006	2008	2011	
European	630 79.1	892 75.5	875 74.3	1074 74.3	922 72.4	4393 74.8
Maori	65 8.2	115 9.7	121 10.3	134 9.3	136 10.7	571 9.7
Pacific	26 3.3	46 3.9	40 3.4	49 3.4	37 2.9	198 3.4
Asian	47 5.9	78 6.6	76 6.5	104 7.2	130 10.2	435 7.4
Other	29 3.6	51 4.3	66 5.6	85 5.9	48 3.8	279 4.8
Total	797 100.0	1182 100.0	1178 100.0	1446 100.0	1273 100.0	5876 100.0

\*Ethnicity data are collected using the Statistics New Zealand standard ethnicity question and classification is based on the prioritisation system.

Table 10. Ethnic group (GOSS)\*

	GOSS online survey round			Total
	2006	2008	2011	
European	1753 83.0	1101 75.7	1374 73.0	4228 77.6
Maori	181 8.6	146 10.0	186 9.9	513 9.4
Pacific	56 2.7	39 2.7	48 2.6	143 2.6
Asian	61 2.9	91 6.3	134 7.1	286 5.3
Other	61 2.9	78 5.4	141 7.5	280 5.1
Total	2112 100.0	1455 100.0	1883 100.0	5450 100.0

\*Ethnicity data are collected using the Statistics New Zealand standard ethnicity question and classification is based on the prioritisation system.

Table 11. Highest education (GAPSS)

	GAPSS offline survey round					Total
	2002	2004	2006	2008	2011	
No school qualification	42	68	68	89	63	330
	5.3	5.8	5.8	6.2	5.0	5.7
School Cert/ 6 <sup>th</sup> Form NCEA 1 or 2	118	221	215	255	202	1011
	15.0	18.9	18.4	17.9	16.0	17.4
HSC/UE/ Bursary/ NCEA 3	106	123	128	134	150	641
	13.5	10.5	10.9	9.4	11.9	11.0
Professional /Trades Diploma	182	258	229	284	244	1197
	23.2	22.0	19.6	19.9	19.4	20.6
Degree/ Postgraduate	338	501	530	664	602	2635
	43.0	42.8	45.3	46.6	47.7	45.3
Total	786	1171	1170	1426	1261	5814
	100.0	100.0	100.0	100.0	100.0	100.0

Table 12. Highest education (GOSS)

	GOSS online survey round			Total
	2006	2008	2011	
No school qualification	198	127	141	466
	9.4	8.7	7.5	8.5
School Cert/ 6 <sup>th</sup> Form NCEA 1 or 2	457	322	372	1151
	21.6	22.1	19.7	21.1
HSC/UE/ Bursary/ NCEA 3	250	163	259	672
	11.8	11.2	13.7	12.3
Professional /Trades Diploma	477	359	430	1266
	22.5	24.7	22.8	23.2
Degree/ Postgraduate	736	484	683	1903
	34.8	33.3	36.2	34.9
Total	2118	1455	1885	5458
	100.0	100.0	100.0	100.0

Table 13. Employment status (GAPSS)

	GAPSS offline survey round				Total
	2004	2006	2008	2011	
Employed	976 83.1	1009 86.8	1223 86.0	932 75.8	4140 83.0
Unemployed	38 3.2	30 2.6	43 3.0	70 5.7	181 3.6
Student	94 8.0	69 5.9	83 5.8	141 11.5	387 7.8
Retired	48 4.1	32 2.8	41 2.9	55 4.5	176 3.5
Beneficiary	18 1.5	22 1.9	32 2.3	32 2.6	104 2.1
Total	1174 100.0	1162 100.0	1422 100.0	1230 100.0	4988 100.0

Table 14. Employment status (GOSS)

	GOSS online survey round			Total
	2006	2008	2011	
Employed		1183 81.6	1448 77.6	2631 79.4
Unemployed		44 3.0	104 5.6	148 4.5
Student		141 9.7	215 11.5	356 10.7
Retired		37 2.6	46 2.5	83 2.5
Beneficiary		44 3.0	53 2.8	97 2.9
Total		1449 100.0	1866 100.0	3315 100.0

Table 15. Free time spent with other gay men (GAPSS)

	GAPSS offline survey round					Total
	2002	2004	2006	2008	2011	
None	19 2.4	12 1.0	31 2.6	37 2.7	17 1.4	116 2.0
A little	115 14.2	146 12.1	211 17.9	298 20.6	254 20.2	1024 17.4
Some	264 32.6	436 36.1	407 34.6	464 32.1	410 32.6	1981 33.6
A lot	411 50.8	615 50.9	527 44.8	647 44.7	578 45.9	2778 47.1
Total	809 100.0	1209 100.0	1176 100.0	1446 100.0	1259 100.0	5899 100.0

Table 16. Free time spent with other gay men (GOSS)

	GOSS online survey round			Total
	2006	2008	2011	
None	290 13.9	147 10.7	214 12.0	651 12.4
A little	797 38.2	558 40.4	767 43.0	2122 40.4
Some	550 26.4	400 29.0	501 28.1	1451 27.6
A lot	450 21.6	275 19.9	300 16.8	1025 19.5
Total	2087 100.0	1380 100.0	1782 100.0	5249 100.0

## Sexual partnering

Table 17. Had sex with a man in the previous 6 months (GAPSS)

	GAPSS offline survey round					Total
	2002	2004	2006	2008	2011	
Yes	770 94.8	1135 93.0	1169 95.4	1442 94.4	1212 92.9	5728 94.1
No	42 5.2	85 7.0	56 4.6	85 5.6	92 7.1	360 5.9
Total	812 100.0	1220 100.0	1225 100.0	1527 100.0	1304 100.0	6088 100.0

Table 18. Had sex with a man in the previous 6 months (GOSS)

	GOSS online survey round			Total
	2006	2008	2011	
Yes	1926 90.4	1342 91.2	1742 91.0	5010 90.8
No	205 9.6	130 8.8	173 9.0	508 9.2
Total	2131 100.0	1472 100.0	1915 100.0	5518 100.0

Table 19. Had sex with a woman in the previous 6 months (GAPSS)

	GAPSS offline survey round					Total
	2002	2004	2006	2008	2011	
Yes	68 9.3	75 6.6	84 6.9	132 8.7	101 7.8	460 7.8
No	667 90.8	1064 93.4	1137 93.1	1386 91.3	1196 92.2	5450 92.2
Total	735 100.0	1139 100.0	1221 100.0	1518 100.0	1297 100.0	5910 100.0

Table 20. Had sex with a woman in the previous 6 months (GOSS)

	GOSS online survey round			Total
	2006	2008	2011	
Yes	625 29.5	319 21.8	390 20.6	1334 24.4
No	1494 70.5	1142 78.2	1505 79.4	4141 75.6
Total	2119 100.0	1461 100.0	1895 100.0	5475 100.0

Table 21. Number of male sexual partners in previous 6 months (GAPSS)

	GAPSS offline survey round					Total
	2002	2004	2006	2008	2011	
None	42 5.2	85 7.1	49 4.1	68 4.6	68 5.4	312 5.3
One	177 22.1	302 25.1	322 26.9	435 29.7	401 32.0	1637 27.6
2-5	239 29.8	354 29.2	387 32.3	458 31.2	438 34.9	1874 31.6
6-10	121 15.1	165 13.7	172 14.4	227 15.5	148 11.8	833 14.1
11-20	87 10.9	129 10.7	126 10.5	136 9.3	84 6.7	562 9.5
21-50	91 11.4	119 9.9	100 8.4	98 6.7	79 6.3	487 8.2
>50	44 5.5	52 4.3	42 3.5	45 3.1	37 3.0	220 3.7
Total	801 100.0	1204 100.0	1198 100.0	1467 100.0	1255 100.0	5925 100.0

Table 22. Number of male sexual partners in previous 6 months (GOSS)

	GOSS online survey round			Total
	2006	2008	2011	
None	204 9.6	130 9.0	173 9.3	507 9.3
One	310 14.6	200 13.8	246 13.2	756 13.9
2-5	836 39.3	578 40.0	764 41.0	2178 40.1
6-10	321 15.1	242 16.8	316 16.9	879 16.2
11-20	218 10.3	163 11.3	215 11.5	596 11.0
21-50	173 8.1	94 6.5	121 6.5	388 7.1
>50	65 3.1	38 2.6	30 1.6	133 2.5
Total	2127 100.0	1445 100.0	1865 100.0	5437 100.0



Table 23. Types of sexual relationships over the previous 6 months (GAPSS)

	GAPSS offline survey round					Total
	2002	2004	2006	2008	2011	
No sex with a man	42 5.6	85 7.4	51 4.5	78 5.6	80 6.4	336 5.9
1 regular partner only	164 22.0	257 22.4	282 24.9	356 25.4	306 24.6	1365 24.1
2 or more regular but no casual	20 2.7	32 2.8	28 2.5	42 3.0	26 2.1	148 2.6
1 regular and casual	183 24.6	250 21.8	257 22.7	302 21.5	328 26.4	1320 23.3
2 or more regular and casual	187 25.1	338 29.5	321 28.3	369 26.3	311 25.0	1526 26.9
Casual Sex only	149 20.0	185 16.1	194 17.1	257 18.3	191 15.4	976 17.2
Total	745 100.0	1147 100.0	1133 100.0	1404 100.0	1242 100.0	5671 100.0

Table 24. Types of sexual relationships over the previous 6 months (GOSS)

	GOSS online survey round			Total
	2006	2008	2011	
No sex with a man	205 9.8	130 8.9	173 5.6	508 8.2
1 regular partner only	213 10.2	130 8.9	105 5.6	448 8.3
2 or more regular but no casual	38 1.8	34 2.3	17 0.9	89 1.6
1 regular and casual	528 25.2	374 25.7	517 27.4	1419 26.1
2 or more regular and casual	705 33.6	509 35.0	717 38.0	1931 35.5
Casual Sex only	408 19.5	278 19.1	357 18.9	1043 19.2
Total	2097 100.0	1455 100.0	1886 100.0	5438 100.0

Table 25. Had a regular sexual partner at time of survey (GAPSS)

	GAPSS offline survey round					Total
	2002	2004	2006	2008	2011	
Yes	398 51.0	668 55.5	658 55.9	801 54.6	711 56.7	3236 55.0
No	383 49.0	535 44.5	520 44.1	667 45.4	542 43.3	2647 45.0
Total	781 100.0	1203 100.0	1178 100.0	1468 100.0	1253 100.0	5883 100.0

Table 26. Had a regular sexual partner at time of survey (GOSS)

	GOSS online survey round					
Yes			920 43.5	582 40.1	793 42.3	2295 42.2
No			1193 56.5	868 59.9	1084 57.8	3145 57.8
Total			2113 100.0	1450 100.0	1877 100.0	5440 100.0

Table 27. Type of regular sexual partner at time of survey (GAPSS)\*

	GAPSS offline survey round					Total
	2002	2004	2006	2008	2011	
Boyfriend, Long-term lover, life partner, civil union	300 78.3	504 79.8	477 77.1	591 78.3	543 78.4	2415 78.4
Fuckbuddy, friend I have sex with	81 21.2	128 20.3	142 22.9	164 21.7	150 21.7	665 21.6
Total	383 100.0	632 100.0	619 100.0	755 100.0	693 100.0	3080 100.0

\*Excludes response option of paying for sex offered in 2002 and 2004. Denominator is all those with current regular sex partner.

Table 28. Type of regular sexual partner at time of survey (GOSS)

	GOSS online survey round					
Boyfriend, Long-term lover, life partner, civil union			468 51.0	282 49.0	348 44.3	1098 48.2
Fuckbuddy, friend I have sex with			449 49.0	293 51.0	437 55.7	1179 51.8
Total			917 100.0	575 100.0	785 100.0	2277 100.0

Denominator is all those with current regular sex partner.

Table 29. Length of current regular sexual relationship – Boyfriend type (GAPSS)

	GAPSS offline survey round					Total
	2002	2004	2006	2008	2011	
<1 month	10 3.4	19 3.8	23 4.9	29 4.9	27 5.0	108 4.5
1-5 mths	47 15.9	67 13.4	52 11.0	69 11.8	53 9.8	288 12.0
6-11 mths	24 8.1	55 11.0	57 12.1	50 8.5	63 11.7	249 10.4
1-2 years	72 24.3	98 19.5	92 19.5	123 21.0	120 22.2	505 21.1
3-4 years	51 17.2	86 17.1	77 16.4	102 17.4	84 15.5	400 16.7
5+ years	92 31.1	177 35.3	170 36.1	214 36.5	194 35.9	847 35.3
Total	296 100.0	502 100.0	471 100.0	587 100.0	541 100.0	2397 100.0

Denominator is all those with a current boyfriend-type partner.

Table 30. Length of current regular sexual relationship – Boyfriend type (GOSS)

	GOSS online survey round			Total
	2006	2008	2011	
<1 month	20 4.3	15 5.3	16 4.6	51 4.6
1-5 mths	73 15.6	35 12.4	52 14.9	160 14.6
6-11 mths	50 10.7	23 8.2	37 10.6	110 10.0
1-2 years	99 21.2	58 20.6	69 19.8	226 20.6
3-4 years	71 15.2	42 14.9	67 19.3	180 16.4
5+ years	155 33.1	109 38.7	107 30.8	371 33.8
Total	468 100.0	282 100.0	348 100.0	1098 100.0

Denominator is all those with a current boyfriend-type partner.

Table 31. Length of current regular sexual relationship – Fuckbuddy type (GAPSS)

	GAPSS offline survey round					Total
	2002	2004	2006	2008	2011	
<1 month	12 15.0	11 8.6	14 9.9	15 9.2	16 10.8	68 10.3
1-5 mths	26 32.5	44 34.4	52 36.6	40 24.4	39 26.4	201 30.4
6-11 mths	11 13.8	24 18.8	22 15.5	29 17.7	27 18.3	113 17.1
1-2 years	14 17.5	30 23.4	20 14.1	46 28.1	29 19.6	139 21.0
3-4 years	8 10.0	13 10.2	16 11.3	15 9.2	21 14.2	73 11.0
5+ years	9 11.3	6 4.7	18 12.7	19 11.6	16 10.8	68 10.3
Total	80 100.0	128 100.0	142 100.0	164 100.0	148 100.0	662 100.0

Denominator is all those with a current fuckbuddy-type partner.

Table 32. Length of current regular sexual relationship – Fuckbuddy type (GOSS)

	GOSS online survey round			Total
	2006	2008	2011	
<1 month	43 9.6	41 14.0	27 6.2	111 9.4
1-5 mths	133 29.6	79 27.0	104 23.8	316 26.8
6-11 mths	114 25.4	64 21.8	92 21.1	270 22.9
1-2 years	73 16.3	63 21.5	94 21.5	230 19.5
3-4 years	40 8.9	23 7.9	64 14.7	127 10.8
5+ years	46 10.2	23 7.9	56 12.8	125 10.6
Total	449 100.0	293 100.0	437 100.0	1179 100.0

Denominator is all those with a current fuckbuddy-type partner.

Table 33. Live with current regular sexual partner - Boyfriend (GAPSS)

	GAPSS offline survey round				Total
	2004	2006	2008	2011	
Yes	339 69.3	337 72.0	435 75.1	389 72.6	1500 72.4
No	150 30.7	131 28.0	144 24.9	147 27.4	572 27.6
Total	489 100.0	468 100.0	579 100.0	536 100.0	2072 100.0

Denominator is all those with a current boyfriend-type partner.

Table 34. Live with current regular sexual partner - Boyfriend (GOSS)

	GOSS online survey round				Total
	2004	2006	2008	2011	
Yes		304 65.0	187 66.3	228 65.5	719 65.5
No		164 35.0	95 33.7	120 34.5	379 34.5
Total		468 100.0	282 100.0	348 100.0	1098 100.0

Denominator is all those with a current boyfriend-type partner.

Table 35. Live with current regular sexual partner - Fuckbuddy (GAPSS)

	GAPSS offline survey round				Total
	2004	2006	2008	2011	
Yes	9 7.1	10 7.1	10 6.2	14 9.3	43 7.4
No	118 92.9	131 92.9	152 93.8	136 90.7	537 92.6
Total	127 100.0	141 100.0	162 100.0	150 100.0	580 100.0

Denominator is all those with a current fuckbuddy-type partner.

Table 36. Live with current regular sexual partner - Fuckbuddy (GOSS)

	GOSS online survey round				Total
	2004	2006	2008	2011	
Yes		27 6.0	16 5.5	30 6.9	73 6.2
No		422 94.0	277 94.5	407 93.1	1106 93.8
Total		449 100.0	293 100.0	437 100.0	1179 100.0

Denominator is all those with a current fuckbuddy-type partner.

Table 37. Result of current regular partner's latest HIV test – Boyfriend type (GAPSS)

	GAPSS offline survey round					Total
	2002	2004	2006	2008	2011	
I don't know / haven't asked him	38 12.8	84 16.9	63 13.5	79 14.6	79 13.6	343 14.4
He hasn't tested	40 13.5	44 8.9	34 7.3	44 7.6	48 8.9	210 8.8
HIV negative	208 70.0	344 69.4	349 74.7	438 75.5	374 69.1	1713 71.9
HIV positive	11 3.7	24 4.8	21 4.5	19 3.3	40 7.4	115 4.8
Total	297 100.0	496 100.0	467 100.0	580 100.0	541 100.0	2381 100.0

Denominator is all those with a current boyfriend-type partner.

Table 38. Result of current regular partner's latest HIV test – Boyfriend type (GOSS)

	GOSS online survey round			Total
	2006	2008	2011	
I don't know / haven't asked him	83 17.6	37 13.1	45 13.0	165 15.1
He hasn't tested	55 11.8	42 14.9	47 13.5	144 13.2
HIV negative	315 67.7	200 70.9	246 70.9	761 69.6
HIV positive	12 2.6	3 1.1	9 2.6	24 2.2
Total	465 100.0	282 100.0	347 100.0	1094 100.0

Denominator is all those with a current boyfriend-type partner.

Table 39. Result of current regular partner's latest HIV test – Fuckbuddy type (GAPSS)

	GAPSS offline survey round					Total
	2002	2004	2006	2008	2011	
I don't know / haven't asked him	27 34.2	54 43.9	64 46.0	66 40.2	68 45.2	279 42.6
He hasn't tested	12 15.2	6 4.9	8 5.8	7 4.3	5 3.3	38 5.8
HIV negative	36 45.6	61 49.6	65 46.8	84 51.2	71 47.3	317 48.4
HIV positive	4 5.1	2 1.6	2 1.4	7 4.3	6 4.0	21 3.2
Total	79 100.0	123 100.0	139 100.0	164 100.0	150 100.0	655 100.0

Denominator is all those with a current fuckbuddy-type partner.

Table 40. Result of current regular partner's latest HIV test – Fuckbuddy type (GOSS)

	GOSS online survey round			Total
	2006	2008	2011	
I don't know / haven't asked him	216 48.9	132 45.1	182 41.7	530 45.2
He hasn't tested	59 13.4	25 8.5	27 6.2	111 9.5
HIV negative	157 35.5	130 44.4	213 48.7	500 42.7
HIV positive	10 2.3	6 2.1	15 3.4	31 2.7
Total	100.0	100.0	100.0	100.0

Denominator is all those with a current fuckbuddy-type partner.

Table 41. Belief about current regular partner's latest HIV test – Boyfriend type (GAPSS)

	GAPSS offline survey round					Total
	2002	2004	2006	2008	2011	
Definitely negative	218 73.2	352 70.7	354 75.3	475 81.1	377 69.7	1776 74.2
Probably negative	58 19.5	98 19.7	74 15.7	80 13.7	111 20.5	421 17.6
Probably positive	2 0.7	2 0.4	2 0.4	2 0.3	2 0.4	10 0.4
Definitely positive	13 4.4	26 5.2	18 3.8	20 3.4	43 8.0	120 5.0
Don't know	7 2.4	20 4.0	22 4.7	9 1.5	8 1.5	66 2.8
Total	298 100.0	498 100.0	470 100.0	586 100.0	541 100.0	2393 100.0

Denominator is all those with a current boyfriend-type partner.

Table 42. Belief about current regular partner's latest HIV test – Boyfriend type (GOSS)

	GOSS online survey round			Total
	2006	2008	2011	
Definitely negative	332 71.1	217 77.0	222 63.8	771 70.3
Probably negative	106 22.7	52 18.4	101 29.0	259 23.6
Probably positive	1 0.2	1 0.4	1 0.3	3 0.3
Definitely positive	9 1.9	3 1.1	11 3.2	23 2.1
Don't know	19 4.1	9 3.2	13 3.7	41 3.7
Total	467 100.0	282 100.0	348 100.0	1097 100.0

Denominator is all those with a current boyfriend-type partner.



Table 43. Belief about current regular partner's latest HIV test – Fuckbuddy type (GAPSS)

	GAPSS offline survey round					Total
	2002	2004	2006	2008	2011	
Definitely negative	41 51.3	55 44.7	68 48.9	83 51.2	63 42.0	310 47.4
Probably negative	32 40.0	50 40.7	46 33.1	46 28.4	61 40.7	235 35.9
Probably positive	0 0.0	0 0.0	0 0.0	0 0.0	0 0.0	0 0.0
Definitely positive	2 2.5	3 2.4	1 0.7	6 3.7	3 2.0	15 2.3
Don't know	5 6.3	15 12.2	24 17.3	27 16.7	23 15.3	94 14.4
Total	80 100.0	123 100.0	139 100.0	162 100.0	150 100.0	654 100.0

Denominator is all those with a current fuckbuddy-type partner.

Table 44. Belief about current regular partner's latest HIV test – Fuckbuddy type (GOSS)

	GOSS online survey round			Total
	2006	2008	2011	
Definitely negative	219 48.8	153 52.2	217 49.7	589 50.0
Probably negative	130 29.0	90 30.7	132 30.2	352 29.9
Probably positive	8 1.8	6 2.1	6 1.4	20 1.7
Definitely positive	11 2.5	4 1.4	14 3.2	29 2.5
Don't know	81 18.0	40 13.7	68 15.6	189 16.0
Total	449 100.0	293 100.0	437 100.0	1179 100.0

Denominator is all those with a current fuckbuddy-type partner.

## Sexual practices and condom use

### Regular partners - Anal sex

Table 45. Anal sex with current regular sexual partner - Boyfriend (GAPSS)

	GAPSS offline survey round					Total
	2002	2004	2006	2008	2011	
Yes	242 80.9	396 81.2	392 83.1	486 83.8	447 84.0	1963 82.8
No	57 19.1	92 18.9	80 17.0	94 16.2	85 16.0	408 17.2
Total	299 100.0	488 100.0	472 100.0	580 100.0	532 100.0	2371 100.0

Denominator is all those with a current boyfriend-type partner.

Table 46. Anal sex with current regular sexual partner - Boyfriend (GOSS)

	GOSS online survey round				Total	
	2002	2004	2006	2008		
Yes			395 85.3	233 84.1	317 91.6	945 87.0
No			68 14.7	44 15.9	29 8.4	141 13.0
Total			463 100.0	277 100.0	346 100.0	1086 100.0

Denominator is all those with a current boyfriend-type partner.

Table 47. Anal sex with current regular sexual partner - Fuckbuddy (GAPSS)

	GAPSS offline survey round					Total
	2002	2004	2006	2008	2011	
Yes	63 76.8	101 80.2	119 83.2	140 85.9	129 85.4	552 83.0
No	19 23.2	25 19.8	24 16.8	23 14.1	22 14.6	113 17.0
Total	82 100.0	126 100.0	143 100.0	163 100.0	151 100.0	665 100.0

Denominator is all those with a current fuckbuddy-type partner.

Table 48. Anal sex with current regular sexual partner - Fuckbuddy (GOSS)

	GOSS online survey round				Total	
	2002	2004	2006	2008		
Yes			371 83.9	256 87.7	379 87.9	1006 86.4
No			71 16.1	36 12.3	52 12.1	159 13.7
Total			442 100.0	292 100.0	431 100.0	1165 100.0

Denominator is all those with a current fuckbuddy-type partner.

## Regular partners - Condom use

Table 49. Condom use with current regular sexual partner - Boyfriend (GAPSS)

	GAPSS offline survey round					Total
	2002	2004	2006	2008	2011	
Always protected	67 27.7	127 32.1	92 23.5	131 27.0	121 27.1	538 27.4
Any unprotected	175 72.3	269 67.9	300 76.5	355 73.1	326 72.9	1425 72.6
Total	242 100.0	396 100.0	392 100.0	486 100.0	447 100.0	1963 100.0

Denominator is all those having anal sex with a current boyfriend-type partner.

Table 50. Condom use with current regular sexual partner - Boyfriend (GOSS)

	GOSS online survey round				Total	
	2002	2004	2006	2008		
Always protected			96 24.3	62 26.6	76 24.0	234 24.8
Any unprotected			299 75.7	171 73.4	241 76.0	711 75.2
Total			395 100.0	233 100.0	317 100.0	945 100.0

Denominator is all those having anal sex with a current boyfriend-type partner.

Table 51. Condom use with current regular sexual partner - Boyfriend (GAPSS)

	GAPSS offline survey round					Total
	2002	2004	2006	2008	2011	
High	83 34.6	151 38.1	131 33.9	165 34.1	152 34.2	682 35.0
Medium	20 8.3	27 6.8	27 7.0	33 6.8	30 6.7	137 7.0
Low	137 57.1	218 55.1	228 59.1	286 59.1	263 59.1	1132 58.0
Total	240 100.0	396 100.0	386 100.0	484 100.0	445 100.0	1951 100.0

Denominator is all those having anal sex with a current boyfriend-type partner.

Table 52. Condom use with current regular sexual partner - Boyfriend (GOSS)

	GOSS online survey round				Total	
	2002	2004	2006	2008		
High			130 33.1	77 33.3	104 33.1	311 33.2
Medium			29 7.4	19 8.2	22 7.0	70 7.5
Low			234 59.5	135 58.4	188 59.9	557 59.4
Total			393 100.0	231 100.0	314 100.0	938 100.0

Denominator is all those having anal sex with a current boyfriend-type partner.

Table 53. Condom use with current regular sexual partner - Fuckbuddy (GAPSS)

	GAPSS offline survey round					Total
	2002	2004	2006	2008	2011	
Always protected	36 57.1	59 58.4	77 64.7	85 60.7	69 53.5	326 59.1
Any unprotected	27 42.9	42 41.6	42 35.3	55 39.3	60 46.5	226 40.9
Total	63 100.0	101 100.0	119 100.0	140 100.0	129 100.0	40.9 100.0

Denominator is all those having anal sex with a current fuckbuddy-type partner.

Table 54. Condom use with current regular sexual partner - Fuckbuddy (GOSS)

	GOSS online survey round			Total
	2006	2008	2011	
Always protected	156 42.1	99 38.7	166 43.8	421 41.9
Any unprotected	215 58.0	157 61.3	213 56.2	585 58.2
Total	371 100.0	256 100.0	379 100.0	1006 100.0

Denominator is all those having anal sex with a current fuckbuddy-type partner.

Table 55. Condom use with current regular sexual partner - Fuckbuddy (GAPSS)

	GAPSS offline survey round					Total
	2002	2004	2006	2008	2011	
High	51 81.0	68 67.3	89 76.7	111 79.3	86 67.7	405 74.0
Medium	7 11.1	14 13.9	7 6.0	15 10.7	21 16.5	64 11.7
Low	5 7.9	19 18.8	20 17.2	14 10.0	20 15.8	78 14.3
Total	63 100.0	101 100.0	116 100.0	140 100.0	127 100.0	547 100.0

Denominator is all those having anal sex with a current fuckbuddy-type partner.

Table 56. Condom use with current regular sexual partner - Fuckbuddy (GOSS)

	GOSS online survey round			Total
	2006	2008	2011	
High	195 52.7	132 52.0	221 58.8	548 54.8
Medium	47 12.7	44 17.3	41 10.9	132 13.2
Low	128 34.6	78 30.7	114 30.3	320 32.0
Total	370 100.0	78 100.0	114 100.0	320 100.0

Denominator is all those having anal sex with a current fuckbuddy-type partner.

## Casual partners – Anal sex

Table 57. Anal sex with casual sexual partner/s (GAPSS)

	GAPSS offline survey round					Total
	2002	2004	2006	2008	2011	
Yes	337 68.2	520 72.4	538 72.3	756 80.4	613 76.4	2764 74.7
No	157 31.8	198 27.6	206 27.7	184 19.6	189 23.6	934 25.3
Total	494 100.0	718 100.0	744 100.0	940 100.0	802 100.0	3698 100.0

Denominator is all those with a casual partner.

Table 58. Anal sex with casual sexual partners/s (GOSS)

	GOSS online survey round			Total
	2006	2008	2011	
Yes	1239 76.3	923 80.8	1306 83.4	3468 80.1
No	385 23.7	219 19.2	260 16.6	864 19.9
Total	1624 100.0	1142 100.0	1556 100.0	4332 100.0

Denominator is all those with a casual partner.

## Casual partners – Condom use

Table 59. Condom use with casual sexual partner/s (GAPSS)

	GAPSS offline survey round					Total
	2002	2004	2006	2008	2011	
Always protected	225 66.8	346 66.5	350 65.1	520 68.8	367 59.9	1808 65.4
Any unprotected	112 33.2	174 33.5	188 34.9	236 31.2	246 40.1	956 34.6
Total	337 100.0	520 100.0	538 100.0	756 100.0	613 100.0	2764 100.0

Denominator is all those having anal sex with a casual partner.

Table 60. Condom use with casual sexual partner/s (GOSS)

	GOSS online survey round			Total
	2006	2008	2011	
Always protected	617 49.8	479 51.9	622 47.6	1718 49.5
Any unprotected	622 50.2	444 48.1	684 52.4	1750 50.5
Total	1239 100.0	923 100.0	1306 100.0	3468 100.0

Denominator is all those having anal sex with a casual partner.

Table 61. Condom use with casual sexual partner/s (GAPSS)

	GAPSS offline survey round					Total
	2002	2004	2006	2008	2011	
High	285 85.3	444 85.7	458 85.5	647 86.3	494 80.6	2328 84.6
Medium	34 10.2	63 12.2	51 9.5	60 8.0	76 12.4	284 10.3
Low	15 4.5	11 2.1	27 5.0	43 5.7	43 7.0	139 5.1
Total	334 100.0	518 100.0	536 100.0	750 100.0	613 100.0	2751 100.0

Denominator is all those having anal sex with a casual partner.

Table 62. Condom use with casual sexual partner/s (GOSS)

	GOSS online survey round			Total
	2006	2008	2011	
High	865 70.3	666 72.2	931 71.6	2462 71.3
Medium	178 14.5	137 14.9	216 16.6	531 15.4
Low	188 15.3	119 12.9	153 11.8	460 13.3
Total	1231 100.0	922 100.0	1300 100.0	3453 100.0

Denominator is all those having anal sex with a casual partner.

Condom use - overall

Table 63. Condom use with casual sexual partner/s (GAPSS)

	GAPSS offline survey round					Total
	2002	2004	2006	2008	2011	
No casual sex	252 33.8	404 36.0	386 34.2	490 34.3	436 35.2	1968 34.7
No anal sex	157 21.1	198 17.7	206 18.2	184 12.9	189 15.3	934 16.5
Always protected	225 30.2	346 30.8	350 31.0	520 36.4	367 29.6	1808 31.9
Any unprotected	112 15.0	174 15.5	188 16.6	236 16.5	246 19.9	956 16.9
Total	746 100.0	1122 100.0	1130 100.0	1430 100.0	1238 100.0	5666 100.0

Table 64. Condom use with casual sexual partner/s (GOSS)

	GOSS online survey round			Total
	2006	2008	2011	
No casual sex	473 22.6	308 21.2	317 16.8	1098 20.2
No anal sex	385 18.4	219 15.1	260 13.8	864 15.9
Always protected	617 29.4	479 33.0	622 33.0	1718 31.6
Any unprotected	622 29.7	444 30.6	684 36.3	1750 32.2
Total	2097 100.0	1450 100.0	1883 100.0	5430 100.0

## Last anal sex partner

Table 65. Type of partner (GAPSS)

	GAPSS offline survey round					Total
	2002	2004	2006	2008	2011	
Regular boyfriend				473	430	903
				44.3	47.9	45.9
Regular fuckbuddy				186	163	349
				17.4	18.2	17.7
Casual or anonymous				410	305	715
				38.4	34.0	36.4
Total				1069	898	1967
				100.0	100.0	100.0

Denominator is all those having anal sex with any partner in the previous 6 months.

Table 66. Type of partner (GOSS)

	GOSS online survey round			Total
	2008	2011		
Regular boyfriend	229	305		534
	21.8	21.4		21.6
Regular fuckbuddy	295	467		762
	28.1	32.8		30.8
Casual or anonymous	526	654		1180
	50.1	45.9		47.7
Total	526	654		2476
	100.0	100.0		100.0

Denominator is all those having anal sex with any partner in the previous 6 months.



Table 67. Relative age of last anal sex partner (GAPSS)

	GAPSS offline survey round				Total	
	2002	2004	2006	2008		2011
Partner >5 yrs younger				399 39.2	292 34.2	691 37.0
Partner 1-5 yrs younger				180 17.7	170 19.9	350 18.7
Partner same age exactly				55 5.4	56 6.6	111 5.9
Partner 1-5 yrs older				169 16.6	167 19.6	336 18.0
Partner >5 yrs older				214 21.0	168 19.0	382 20.4
Total				1017 100.0	853 100.0	1870 100.0

Denominator is all those having anal sex with any partner in the previous 6 months.

Table 68. Relative age of last anal sex partner (GOSS)

	GOSS online survey round			Total
	2008	2011		
Partner >5 yrs younger	334 33.3	465 33.3		799 33.2
Partner 1-5 yrs younger	203 20.2	277 19.8		480 20.0
Partner same age exactly	73 7.3	85 6.1		158 6.6
Partner 1-5 yrs older	192 19.1	279 20.0		471 20.0
Partner >5 yrs older	204 20.3	292 20.9		496 20.6
Total	1006 100.0	1398 100.0		2404 100.0

Denominator is all those having anal sex with any partner in the previous 6 months.

Table 69. Place met last anal sex partner – regular boyfriend (GAPSS)

	GAPSS offline survey round					Total
	2002	2004	2006	2008	2011	
Gay bar				127	119	246
				27.6	28.1	27.8
Gay sauna				523	14	37
				5.0	3.3	4.2
Cruise club				8	3	11
				1.7	0.7	1.3
Internet dating				102	127	229
				22.2	30.0	25.9
Internet Social site				19	25	44
				4.1	5.9	5.0
At friends				98	65	163
				21.3	15.3	18.4
Beach, park beat				16	5	21
				3.5	1.2	2.4
Straight bar				3	5	8
				0.7	1.2	0.9
Other				64	61	125
				13.9	14.4	14.1
Total				460	424	884
				100.0	100.0	100.0

Denominator is all those having anal sex with any partner in the previous 6 months.

Table 70. Place met last anal sex partner – regular fuckbuddy or casual or anonymous (GAPSS)

	GAPSS offline survey round					Total
	2002	2004	2006	2008	2011	
Gay bar				100	64	164
				17.8	14.0	16.1
Gay sauna				135	91	226
				24.0	20.0	22.2
Cruise club				47	30	77
				8.4	6.6	7.6
Internet dating				166	151	317
				29.5	33.3	31.1
Internet Social site				7	16	23
				1.3	3.5	2.3
At friends				42	47	89
				7.5	10.3	8.7
Beach, park beat				26	15	41
				4.6	3.3	4.0
Straight bar				5	7	12
				0.9	1.5	1.2
Other				35	35	70
				6.2	7.7	6.9
Total				563	456	1019
				100.0	100.0	100.0

Denominator is all those having anal sex with any partner in the previous 6 months.

Table 71. Place met last anal sex partner – regular boyfriend (GOSS)

	GAPSS offline survey round					Total
	2002	2004	2006	2008	2011	
Gay bar				21	23	44
				9.5	7.7	8.5
Gay sauna				5	11	16
				2.3	3.7	3.1
Cruise club				4	0	4
				1.8	0.0	0.8
Internet dating				105	158	263
				47.3	52.8	50.5
Internet Social site				9	14	23
				4.1	4.7	4.4
At friends				41	52	93
				18.5	17.4	17.9
Beach, park beat				0	4	4
				0.0	1.3	0.8
Straight bar				3	4	7
				1.4	1.4	1.4
Other				34	33	67
				15.3	11.0	12.9
Total				222	299	521
				100.0	100.0	100.0

Denominator is all those having anal sex with any partner in the previous 6 months.

Table 72. Place met last anal sex partner – regular fuckbuddy or casual or anonymous (GOSS)

	GAPSS offline survey round					Total
	2002	2004	2006	2008	2011	
Gay bar				48	55	103
				6.1	5.1	5.5
Gay sauna				64	83	147
				8.1	7.7	7.8
Cruise club				22	25	47
				2.8	2.3	2.5
Internet dating				499	705	1204
				63.2	65.3	64.4
Internet Social site				15	25	40
				1.9	2.3	2.1
At friends				51	73	124
				6.5	6.8	6.6
Beach, park beat				37	44	81
				4.7	4.1	4.3
Straight bar				12	20	32
				1.5	1.9	1.7
Other				41	50	91
				5.2	4.6	4.9
Total				789	1080	1869
				100.0	100.0	100.0

Denominator is all those having anal sex with any partner in the previous 6 months.

Table 73. Usual assumed residence of last anal sex partner (GAPSS)

	GAPSS offline survey round				Total	
	2002	2004	2006	2008		2011
Same				788	713	1501
NZ city				75.2	80.7	77.7
Smaller				63	43	106
NZ city				6.0	4.9	5.5
Larger				56	38	94
NZ city				5.3	4.3	4.9
Overseas				141	90	231
				13.5	10.2	12.0
Total				1048	884	1932
				100.0	100.0	100.0

Denominator is all those having anal sex with any partner in the previous 6 months.

Table 74. Usual assumed residence of last anal sex partner (GOSS)

	GOSS online survey round			Total
	2008	2011		
Same	752	1063		1815
NZ city	74.5	77.1		76.0
Smaller	76	98		174
NZ city	7.5	7.1		7.3
Larger	124	127		251
NZ city	12.3	9.2		10.5
Overseas	57	91		148
	5.7	6.6		6.2
Total	1009	1379		2388
	100.0	100.0		100.0

Denominator is all those having anal sex with any partner in the previous 6 months.

Table 75. Usual assumed number of sexual contacts of last anal sex partner (GAPSS)

	GAPSS offline survey round				Total	
	2002	2004	2006	2008		2011
Fewer than me				254 24.7	189 21.3	443 23.1
Same number				338 32.9	228 25.7	566 29.5
More than me				183 17.8	151 17.0	334 17.4
Don't know				254 24.7	125 14.1	379 19.8
Only me*				- -	196 22.1	196 10.2
Total				1029 100.0	889 100.0	1918 100.0

Denominator is all those having anal sex with any partner in the previous 6 months.

\* Response option only available in 2011 round.

Table 76. Usual assumed number of sexual contacts of last anal sex partner (GOSS)

	GOSS online survey round			Total
	2008	2011		
Fewer than me	301 30.0	282 20.5		583 24.5
Same number	270 26.9	360 26.1		630 26.5
More than me	201 20.0	344 25.0		545 22.9
Don't know	232 23.1	237 17.2		469 19.7
Only me*	- -	154 11.2		154 6.5
Total	1004 100.0	1377 100.0		2381 100.0

Denominator is all those having anal sex with any partner in the previous 6 months.

\* Response option only available in 2011 round.

Table 77. Condom use during last anal sex – all partner types (GAPSS)

	GAPSS offline survey round				Total	
	2002	2004	2006	2008		2011
Any unprotected				391	388	779
				37.4	43.9	40.4
All protected				654	496	1150
				62.6	56.1	59.6
Total				1045	884	1929
				100.0	100.0	100.0

Denominator is all those having anal sex with any partner in the previous 6 months.

Table 78. Condom use during last anal sex– all partner types (GOSS)

	GOSS online survey round		Total
	2008	2011	
Any unprotected	387	451	838
	38.8	39.8	39.3
All protected	610	683	1293
	61.2	60.2	60.7
Total	997	1134	2131
	100.0	100.0	100.0

Denominator is all those having anal sex with any partner in the previous 6 months.

Table 79. Condom use during last anal sex – boyfriend (GAPSS)

	GAPSS offline survey round				Total	
	2002	2004	2006	2008		2011
Any unprotected				275	280	555
				59.5	65.9	62.6
All protected				187	145	332
				40.5	34.1	37.4
Total				462	425	887
				100.0	100.0	100.0

Denominator is all those having anal sex with any partner in the previous 6 months.

Table 80. Condom use during last anal sex– fuckbuddy (GAPSS)

	GAPSS offline survey round		Total
	2008	2011	
Any unprotected	41	55	96
	22.2	34.2	27.8
All protected	144	106	250
	77.8	65.8	72.3
Total	185	161	346
	100.0	100.0	100.0

Denominator is all those having anal sex with any partner in the previous 6 months.

Table 81. Condom use during last anal sex– casual or anonymous (GAPSS)

	GAPSS offline survey round		Total
	2008	2011	
Any unprotected	75	53	128
	18.8	17.8	18.4
All protected	323	245	568
	81.2	82.2	81.6
Total	398	298	696
	100.0	100.0	100.0

Denominator is all those having anal sex with any partner in the previous 6 months.

Table 82. Condom use during last anal sex – boyfriend (GOSS)

	GAPSS offline survey round				Total	
	2002	2004	2006	2008		2011
Any unprotected				124 57.1	175 62.3	299 60.0
All protected				93 42.9	106 37.7	199 40.0
Total				217 100.0	281 100.0	498 100.0

Denominator is all those having anal sex with any partner in the previous 6 months.

Table 83. Condom use during last anal sex– fuckbuddy (GOSS)

	GOSS online survey round			Total
	2008	2011		
Any unprotected	125 44.5	128 34.8		253 39.0
All protected	156 55.5	240 65.2		396 61.0
Total	281 100.0	368 100.0		649 100.0

Denominator is all those having anal sex with any partner in the previous 6 months.

Table 84. Condom use during last anal sex– casual or anonymous (GOSS)

	GOSS online survey round			Total
	2008	2011		
Any unprotected	138 27.7	148 30.5		286 29.1
All protected	361 72.3	337 69.5		698 70.9
Total	499 100.0	485 100.0		984 100.0

Denominator is all those having anal sex with any partner in the previous 6 months.



## HIV testing

Table 85. Ever had HIV test (GAPSS)

	GAPSS offline survey round					Total
	2002	2004	2006	2008	2011	
Yes	595 74.9	885 74.8	887 74.8	1151 79.0	1052 81.6	4570 77.3
No	199 25.1	299 25.3	299 25.2	306 21.0	237 18.4	1340 22.7
Total	794 100.0	1184 100.0	1186 100.0	1457 100.0	1289 100.0	5910 100.0

Table 86. Ever had HIV test (GOSS)

	GOSS online survey round			Total
	2006	2008	2011	
Yes	1184 56.1	890 61.0	1282 67.2	2256 61.3
No	926 43.9	570 39.0	625 32.8	2121 38.7
Total	2110 100.0	1460 100.0	1907 100.0	5477 100.0

Table 87. When was last HIV test (GAPSS)

	GAPSS offline survey round					Total
	2002	2004	2006	2008	2011	
<6 mths	195	316	317	421	412	1661
	35.7	38.7	37.7	38.8	40.2	38.5
6-11 mths	99	146	159	185	261	850
	18.1	17.9	18.9	17.1	25.5	19.7
1-2 yrs	141	184	217	271	201	1014
	25.8	22.5	25.8	25.0	19.6	23.5
3-4 yrs	56	83	75	107	74	395
	10.3	10.2	8.9	9.9	7.2	9.2
5+ yrs	55	88	74	101	77	395
	10.1	10.8	8.8	9.3	7.5	9.2
Total	546	817	842	1085	1025	4315
	100.0	100.0	100.0	100.0	100.0	100.0

Denominator is respondents who had ever tested for HIV.

Table 88. When was last HIV test (GOSS)

	GOSS online survey round			Total
	2006	2008	2011	
<6 mths	443	340	564	1347
	37.6	38.5	44.3	40.4
6-11 mths	255	211	293	759
	21.6	23.9	23.0	22.8
1-2 yrs	262	198	246	706
	22.2	22.4	19.3	21.2
3-4 yrs	117	65	70	252
	9.9	7.4	5.5	7.6
5+ yrs	102	69	101	272
	8.7	7.8	7.9	8.2
Total	1179	883	1274	3336
	100.0	100.0	100.0	100.0

Denominator is respondents who had ever tested for HIV.

Table 89. Result of last HIV test (GAPSS)

	GAPSS offline survey round					Total
	2002	2004	2006	2008	2011	
HIV positive	38 6.8	53 6.5	40 4.7	60 5.5	74 7.2	265 6.1
HIV negative/ no result	520 93.2	764 93.5	806 95.3	1024 94.5	949 92.8	4063 93.9
Total	558 100.0	817 100.0	846 100.0	1084 100.0	1023 100.0	4328 100.0

Denominator is respondents who had ever tested for HIV.

Table 90. Result of last HIV test (GOSS)

	GOSS online survey round			Total
	2006	2008	2011	
HIV positive	39 3.3	31 3.6	59 4.6	129 3.9
HIV negative/ no result	1127 96.7	835 96.4	1217 95.4	3179 96.1
Total	1166 100.0	866 100.0	1276 100.0	3308 100.0

Denominator is respondents who had ever tested for HIV.

Table 91. HIV test status – all respondents (GAPSS)

	GAPSS offline survey round					Total
	2002	2004	2006	2008	2011	
Tested HIV negative	514 67.9	756 67.7	799 69.8	1015 73.0	937 74.4	4021 70.9
Tested HIV positive	38 5.0	53 4.8	40 3.5	60 4.3	74 5.9	265 4.7
Not tested /no result	205 27.1	307 27.5	306 26.7	315 22.7	249 19.8	1382 24.4
Total	757 100.0	1116 100.0	1145 100.0	1390 100.0	1260 100.0	5668 100.0

Table 92. HIV test status – all respondents (GOSS)

	GOSS online survey round			Total
	2006	2008	2011	
Tested HIV negative	1116 53.4	824 57.4	1205 63.4	3145 57.9
Tested HIV positive	39 1.9	31 2.2	59 3.1	129 2.4
Not tested /no result	937 44.8	581 40.5	637 33.5	2155 39.7
Total	2092 100.0	1436 100.0	1901 100.0	5429 100.0

Table 93. Place went for last HIV test (GAPSS)

	GAPSS offline survey round		Total
	2008	2011	
GP or doctor	554 51.3	498 48.8	1052 50.1
Sexual Health	367 34.0	336 32.9	703 33.4
NZAF	102 9.4	123 12.1	225 10.7
Other	58 5.4	64 6.3	122 5.8
Total	1081 100.0	1021 100.0	2102 100.0

Denominator is respondents who had ever tested for HIV.

Table 94. Place went for last HIV test (GOSS)

	GOSS online survey round		Total
	2008	2011	
GP or doctor	457 51.5	631 49.3	1088 50.2
Sexual Health	314 35.4	448 35.3	762 35.2
NZAF	80 9.0	123 9.6	203 9.4
Other	37 4.2	77 6.0	114 5.3
Total	888 100.0	1279 100.0	2167 100.0

Denominator is respondents who had ever tested for HIV.

Table 95. Currently on antiretroviral therapy? (GAPSS)

GAPSS offline survey round		
	2011	Total
Yes	44 69.8	44 69.8
No	19 30.2	19 30.2
Total	63 100.0	63 100.0

Denominator is respondents who had tested HIV positive.

Table 96. Currently on antiretroviral therapy? (GOSS)

GOSS online survey round		
	2011	Total
Yes	40 69.0	40 69.0
No	18 31.0	18 31.0
Total	58 100.0	58 100.0

Denominator is respondents who had tested HIV positive.

Table 97. Belief about current HIV status – non-tested HIV positive respondents (GAPSS)

	GAPSS offline survey round					Total
	2002	2004	2006	2008	2011	
Definitely negative	490	739	775	985	785	3774
	66.5	66.7	68.4	72.3	66.8	68.4
Probably negative	215	299	297	314	332	1457
	29.2	27.0	26.2	23.0	28.2	26.4
Probably positive	3	6	5	0	5	19
	0.4	0.5	0.4	0.0	0.4	0.3
Definitely positive	2	6	4	6	4	22
	0.3	0.5	0.4	0.4	0.3	0.4
Don't Know	27	58	52	56	50	243
	3.7	5.2	4.6	4.1	4.3	4.4
Total	737	1108	1133	1363	1176	5517
	100.0	100.0	100.0	100.0	100.0	100.0

Denominator is respondents who had not tested HIV positive.

Table 98. Belief about current HIV status – non-tested HIV positive respondents (GOSS)

	GOSS online survey round			Total
	2006	2008	2011	
Definitely negative	1269	871	1173	3313
	60.6	60.6	63.4	61.6
Probably negative	659	459	568	1686
	31.5	31.9	30.7	31.3
Probably positive	21	8	7	36
	1.0	0.6	0.4	0.7
Definitely positive	8	10	3	21
	0.4	0.7	0.2	0.4
Don't Know	138	89	98	325
	6.6	6.2	5.3	6.0
Total	2095	1437	1849	5381
	100.0	100.0	100.0	100.0

Denominator is respondents who had not tested HIV positive.

## Sexual health checkup or treatment

Table 99. Sexual health checkup or treatment last 12 months (GAPSS)

	GAPSS offline survey round					Total
	2002	2004	2006	2008	2011	
Yes			530	634	658	1822
			45.4	46.8	51.6	48.0
No			637	721	618	1976
			54.6	53.2	48.4	52.0
Total			1167	1355	1276	3798
			100.0	100.0	100.0	100.0

Table 100. Sexual health checkup or treatment last 12 months (GOSS)

	GOSS online survey round			Total
	2006	2008	2011	
Yes	943	645	886	2474
	44.0	44.8	46.9	45.2
No	1198	795	1005	2998
	56.0	55.2	53.2	54.8
Total	2141	1440	1891	5472
	100.0	100.0	100.0	100.0

Table 101. Places went for checkup last 12 months (GAPSS)

	GAPSS offline survey round					Total
	2002	2004	2006	2008	2011	
Sexual health			255	325	289	-
			48.1	51.3	43.9	-
GP			289	298	307	-
			54.5	47.0	46.7	-
NZAF			23	-	62	-
			4.3	-	9.4	-
Total			530	634	658	-
			100.0	100.0	100.0	-

Table 102. Places went for checkup last 12 months (GOSS)

	GOSS online survey round			Total
	2006	2008	2011	
Sexual health	446	278	396	-
	47.3	43.1	44.7	-
GP	491	359	434	-
	47.9	44.3	51.0	-
NZAF	65	34	75	-
	6.9	5.3	8.5	-
Total	943	645	886	-
	100.0	100.0	100.0	-

Table 103. Ever diagnosed with an STI? (GAPSS)

	GAPSS offline survey round					Total
	2002	2004	2006	2008	2011	
Yes			481	-	-	481
			42.2	-	-	42.2
No			653	-	-	653
			57.6	-	-	57.6
Total			1134	-	-	1134
			100.0	-	-	100.0

Table 104. Ever diagnosed with an STI? (GOSS)

	GOSS online survey round			Total
	2006	2008	2011	
Yes	769 36.6	- -	- -	769 36.6
No	1330 63.4	- -	- -	1330 63.4
Total	2099 100.0	- -	- -	2099 100.0

Table 105. Diagnosed with an STI in the last 12 months?\* (GAPSS)

	GAPSS offline survey round				Total	
	2002	2004	2006	2008		
Yes			93 8.2	139 10.0	105 8.4	- -
No			1041 91.8	1250 90.0	1150 91.6	- -
Total			1134 100.0	1389 100.0	1255 100.0	- -

\*Note questions asked differently each survey round.

Table 106. Diagnosed with an STI in the last 12 months?\* (GOSS)

	GOSS online survey round			Total
	2006	2008	2011	
Yes	174 8.3	173 12.0	152 8.1	- -
No	1925 91.7	1274 88.0	1731 91.9	- -
Total	2099 100.0	1447 100.0	1883 100.0	- -

\*Note questions asked differently each survey round.



Table 107. Diagnosed with the following STI in the last 12 months?\* (GAPSS)

	GAPSS offline survey round				Total	
	2002	2004	2006	2008		2011
Gonorrhoea			40	40	31	-
			3.9	2.9	2.5	-
Chlamydia			40	47	44	-
			4.1	3.4	3.5	-
NSU			17	28	11	-
			1.7	2.0	0.9	-
Warts			20	33	18	-
			2.1	2.4	1.4	-
Herpes			15	36	19	-
			1.6	2.6	1.5	-
Syphilis			11	28	8	-
			1.2	2.0	0.6	-
LGV				8	1	-
				0.6	0.1	-
Total**			-	-	-	-
			100.0	100.0	100.0	100.0

\*Note questions asked differently each survey round.

\*\*Denominator differs for each question.

Table 108. Diagnosed with the following STI in the last 12 months?\* (GOSS)

	GOSS online survey round			Total
	2006	2008	2011	
Gonorrhoea	50	51	35	-
	2.5	3.5	1.9	-
Chlamydia	66	82	65	-
	3.4	5.7	3.5	-
NSU	38	45	13	-
	2.0	3.1	0.7	-
Warts	56	65	42	-
	2.9	4.5	2.2	-
Herpes	43	29	17	-
	2.3	2.0	0.9	-
Syphilis	20	24	27	-
	1.1	1.7	1.4	-
LGV		14	3	-
		1.0	0.2	-
Total**	-	-	-	-
	100.0	100.0	100.0	100.0

\*Note questions asked differently each survey round.

\*\*Denominator differs for each question.

## Miscellaneous

Table 109. Frequency of amyl use during sex in the last 6 months (GAPSS)

	GAPSS offline survey round					Total
	2002	2004	2006	2008	2011	
None				838 58.4	- -	838 58.4
Once				119 8.3	- -	119 8.3
More than once				477 33.3	- -	477 33.3
Total				100.0 100.0	- -	100.0 100.0

Table 110. Frequency of amyl use during sex in the last 6 months (GOSS)

	GOSS online survey round			Total
	2006	2008	2011	
None		796 59.9	- -	796 59.9
Once		139 10.5	- -	139 10.5
More than once		393 29.6	- -	393 29.6
Total		1328 100.0	- -	1328 100.0

Table 111. Frequency of group sex in the last 6 months (GAPSS)

	GAPSS offline survey round				Total	
	2002	2004	2006	2008		2011
None				1191 83.2	- -	1191 83.2
Once				112 7.8	- -	112 7.8
2-5 times				106 7.4	- -	106 7.4
6-11 times				12 0.8	- -	12 0.8
12 times				11	-	11
Or more				0.8	-	0.8
Total				1432 100.0	- -	1432 100.0

Table 112. Frequency of group sex in the last 6 months (GOSS)

	GOSS online survey round			Total
	2006	2008	2011	
None		1067 80.0	- -	1067 80.0
Once		134 10.0	- -	134 10.0
2-5 times		97 7.3	- -	97 7.3
6-11 times		19 1.4	- -	19 1.4
12 times		17	-	17
Or more		1.3	-	1.3
Total		1334 100.0	- -	1334 100.0

Table 113. Injecting drug use in the last 6 months (GAPSS)

	GAPSS offline survey round				2011	Total
	2002	2004	2006	2008		
No					1167 92.8	1167 92.8
Yes but not <6 mths					71 5.7	71 5.7
Yes					19 1.5	19 1.5
Total					1257 100.0	1257 100.0

Table 114. Injecting drug use in the last 6 months (GOSS)

	GOSS online survey round			2011	Total
	2006	2008			
No				1824 95.7	1824 95.7
Yes but not <6 mths				64 3.4	64 3.4
Yes				18 0.9	18 0.9
Total				1906 100.0	1906 100.0

Table 115. The message "Get it On! Is... (GAPSS)

	GAPSS offline survey round					Total
	2002	2004	2006	2008	2011	
A logo, but meaning unknown					65 5.2	65 5.2
Promotes condoms					1083 86.7	1083 86.7
Promotes sex					49 3.9	49 3.9
Never seen or heard it					52 4.2	52 4.2
Total					1249 100.0	1249 100.0

Table 116. The message "Get it On! Is... (GOSS)

	GOSS online survey round				Total
	2006	2008	2011		
A logo, but meaning unknown			54 2.9		54 2.9
Promotes condoms			1398 75.7		1398 75.7
Promotes sex			56 3.0		56 3.0
Never seen or heard it			338 18.3		338 18.3
Total			1846 100.0		1846 100.0

## Knowledge

Table 117. Anal sex without a condom is very high risk for HIV transmission (GAPSS)

	GAPSS offline survey round			Total
	2006	2008	2011	
I knew that	1166 98.8	1424 98.1	-	2590 98.4
I wasn't sure	10 0.9	21 1.5	-	31 1.2
I didn't know that	4 0.3	7 0.5	-	11 0.4
Total	1180 100.0	1452 100.0	-	2632 100.0

\*Not asked in 2011.

Table 118. Anal sex without a condom is very high risk for HIV transmission (GOSS)

	GOSS online survey round			Total
	2006	2008	2011	
I knew that	2032 95.5	1420 96.7	-	3452 96.0
I wasn't sure	71 3.3	36 2.5	-	107 3.0
I didn't know that	25 1.2	12 0.8	-	37 1.0
Total	2128 100.0	1468 100.0	-	3596 100.0

\*Not asked in 2011.

Table 119. Oral sex is low risk for HIV transmission (GAPSS)

	GAPSS offline survey round			Total
	2006	2008	2011	
I knew that	995 84.5	1195 82.6	-	2190 83.5
I wasn't sure	153 13.0	203 14.0	-	356 13.6
I didn't know that	30 2.6	48 3.3	-	78 3.0
Total	1178 100.0	1446 100.0	-	2624 100.0

\*Not asked in 2011.

Table 120. Oral sex is low risk for HIV transmission (GOSS)

	GOSS online survey round			Total
	2006	2008	2011	
I knew that	1509 71.1	1123 76.5	-	2632 73.3
I wasn't sure	485 22.9	272 18.5	-	757 21.1
I didn't know that	129 6.1	73 5.0	-	202 5.6
Total	2123 100.0	1468 100.0	-	3591 100.0

\*Not asked in 2011.

Table 121. HIV is more easily transmitted to others in the first few weeks after infection (GAPSS)

	GAPSS offline survey round			Total
	2006	2008	2011	
I knew that	493 41.9	617 42.8	-	1110 42.4
I wasn't sure	273 23.2	397 27.5	-	670 25.6
I didn't know that	412 35.0	428 29.7	-	840 32.1
Total	1178 100.0	1442 100.0	-	2620 100.0

\*Not asked in 2011.

Table 122. HIV is more easily transmitted to others in the first few weeks after infection (GOSS)

	GOSS online survey round			Total
	2006	2008	2011	
I knew that	568 26.8	452 30.9	-	1020 28.5
I wasn't sure	424 20.0	367 25.1	-	791 22.1
I didn't know that	1125 53.1	643 44.0	-	1768 49.4
Total	2117 100.0	1462 100.0	-	3579 100.0

\*Not asked in 2011.



Table 123. HIV cannot pass through an undamaged latex condom (GAPSS)

	GAPSS offline survey round			Total
	2006	2008	2011	
I knew that	974 82.7	1157 80.3	971 76.9	3102 79.9
I wasn't sure	141 12.0	192 13.3	218 17.3	551 14.2
I didn't know that	63 5.4	92 6.4	73 5.8	228 5.9
Total	1178 100.0	1441 100.0	1262 100.0	3881 100.0

Table 124. HIV cannot pass through an undamaged latex condom (GOSS)

	GOSS online survey round			Total
	2006	2008	2011	
I knew that	1667 78.6	1139 77.8	1488 78.2	4294 78.2
I wasn't sure	301 14.2	215 14.7	300 15.8	816 14.9
I didn't know that	153 7.2	111 7.6	116 6.1	380 6.9
Total	2121 100.0	1465 100.0	1904 100.0	5490 100.0

Table 125. It's much easier to transmit HIV through anal sex than vaginal sex (GAPSS)

	GAPSS offline survey round	
	2011	Total
I knew that	1001 78.7	1001 78.7
I wasn't sure	178 14.0	178 14.0
I didn't know that	93 7.3	93 7.3
Total	1272 100.0	1272 100.0

Table 126. It's much easier to transmit HIV through anal sex than vaginal sex (GOSS)

	GOSS online survey round	
	2011	Total
I knew that	1451 76.1	1451 76.1
I wasn't sure	295 15.5	295 15.5
I didn't know that	161 8.4	161 8.4
Total	1907 100.0	1907 100.0

Table 127. Most new HIV infections in New Zealand occur among MSM (GAPSS)

	GAPSS offline survey round	
	2011	Total
I knew that	972 76.8	972 76.8
I wasn't sure	219 17.3	219 17.3
I didn't know that	74 5.6	74 5.6
Total	1265 100.0	1265 100.0

Table 128. Most new HIV infections in New Zealand occur among MSM (GOSS)

	GOSS online survey round	
	2011	Total
I knew that	1426 74.8	1426 74.8
I wasn't sure	365 19.2	365 19.2
I didn't know that	115 6.0	115 6.0
Total	1906 100.0	1906 100.0

## Attitudes

Table 129. HIV is a less serious threat than it used to be because of new treatments (GAPSS)

	GAPSS offline survey round					Total
	2002	2004	2006	2008	2011	
Strongly agree	43 5.4	62 5.3	63 5.3	88 6.1	100 7.8	356 6.1
Agree	111 14.0	162 13.8	133 11.2	215 14.8	301 23.5	922 15.7
Disagree	264 33.4	366 31.2	324 27.2	407 28.0	442 34.6	1803 30.6
Strongly disagree	373 47.2	584 49.7	670 56.3	744 51.2	436 34.1	2807 47.7
Total	791 100.0	1174 100.0	1190 100.0	1454 100.0	1279 100.0	5888 100.0

Table 130. HIV is a less serious threat than it used to be because of new treatments (GOSS)

	GOSS online survey round			Total
	2006	2008	2011	
Strongly agree	127 6.0	64 4.4	81 4.3	272 5.0
Agree	234 11.0	187 12.9	379 20.0	800 14.6
Disagree	698 32.7	467 32.1	692 36.5	1857 33.9
Strongly disagree	1073 50.3	737 50.7	745 39.3	2555 46.6
Total	2132 100.0	1455 100.0	1897 100.0	5484 100.0

Table 131. Condoms are ok as part of sex (GAPSS)

	GAPSS offline survey round					Total
	2002	2004	2006	2008	2011	
Strongly agree	478	676	774	954	870	3752
	60.3	58.0	65.3	65.8	68.0	63.9
Agree	291	411	358	444	366	1870
	36.7	35.3	30.2	30.6	28.6	31.8
Disagree	18	43	36	39	26	162
	2.3	3.7	3.0	2.7	2.0	2.8
Strongly disagree	6	36	18	14	17	91
	0.8	3.1	1.5	1.0	1.3	1.6
Total	793	1166	1186	1451	1279	5875
	100.0	100.0	100.0	100.0	100.0	100.0

Table 132. Condoms are ok as part of sex (GOSS)

	GOSS online survey round			Total
	2006	2008	2011	
Strongly agree	1231	857	1130	3218
	57.7	59.1	59.6	58.7
Agree	753	490	661	1904
	35.3	33.8	34.8	34.8
Disagree	100	60	70	230
	4.7	4.1	3.7	4.2
Strongly disagree	48	43	36	127
	2.3	3.0	1.9	2.3
Total	2132	1450	1897	5479
	100.0	100.0	100.0	100.0

Table 133. I'd sometimes rather risk HIV transmission than use a condom during anal sex (GAPSS)

	GAPSS offline survey round					Total
	2002	2004	2006	2008	2011	
Strongly agree	32	45	34	65	53	229
	4.1	4.0	2.9	4.5	4.1	3.9
Agree	70	70	74	101	121	436
	8.9	6.2	6.3	7.0	9.5	7.5
Disagree	152	205	203	256	259	1075
	19.3	18.3	17.3	17.7	20.2	18.5
Strongly disagree	535	802	865	1024	848	4074
	67.8	71.5	73.6	70.8	66.2	70.1
Total	789	1122	1176	1446	1281	5814
	100.0	100.0	100.0	100.0	100.0	100.0

Table 134. I'd sometimes rather risk HIV transmission than use a condom during anal sex (GOSS)

	GOSS online survey round			Total
	2006	2008	2011	
Strongly agree	75	62	79	216
	3.5	4.3	4.3	4.0
Agree	256	154	233	643
	12.0	10.6	12.6	11.8
Disagree	435	337	482	1254
	20.4	23.2	26.1	23.1
Strongly disagree	1362	900	1056	3318
	64.0	61.9	57.1	61.1
Total	2128	1453	1850	5431
	100.0	100.0	100.0	100.0

Table 135. I don't like wearing condoms because they reduce sensitivity (GAPSS)

	GAPSS offline survey round					Total
	2002	2004	2006	2008	2011	
Strongly agree	98 12.5	111 9.6	93 7.9	149 10.4	133 10.4	584 10.0
Agree	228 29.0	321 27.9	278 23.7	370 25.7	353 27.7	1550 26.6
Disagree	208 26.4	379 32.9	384 32.8	416 28.9	374 29.4	1761 30.2
Strongly disagree	53 32.2	340 29.5	416 35.5	505 35.1	414 32.5	1928 33.1
Total	787 100.0	1151 100.0	1171 100.0	1440 100.0	1274 100.0	5823 100.0

Table 136. I don't like wearing condoms because they reduce sensitivity (GOSS)

	GOSS online survey round			Total
	2006	2008	2011	
Strongly agree	310 14.6	192 13.2	274 14.8	776 14.3
Agree	693 32.5	398 27.5	578 31.3	1669 30.7
Disagree	584 27.4	432 29.8	560 30.3	1576 29.0
Strongly disagree	544 25.5	428 29.5	436 23.6	1408 25.9
Total	2131 100.0	428 100.0	436 100.0	5429 100.0

Table 137. A man who knows he has HIV would tell me he was positive before we had sex (GAPSS)

	GAPSS offline survey round					Total
	2002	2004	2006	2008	2011	
Strongly agree	-	139	203	215	210	767
	-	12.0	17.3	15.0	16.5	15.2
Agree	-	132	196	214	274	816
	-	11.4	16.7	14.9	21.5	16.2
Disagree	-	490	498	644	553	2185
	-	42.2	42.3	44.9	43.4	43.3
Strongly disagree	-	401	280	361	236	1278
	-	34.5	23.8	25.2	18.5	25.3
Total	-	1162	1177	1434	1273	5046
	-	100.0	100.0	100.0	100.0	100.0

Table 138. A man who knows he has HIV would tell me he was positive before we had sex (GOSS)

	GOSS online survey round			Total
	2006	2008	2011	
Strongly agree	433	223	284	940
	20.3	15.4	15.0	17.2
Agree	472	310	514	1296
	22.2	21.4	27.1	23.7
Disagree	874	648	801	2323
	41.0	44.7	42.3	42.4
Strongly disagree	351	269	296	916
	16.5	18.6	15.6	16.7
Total	2130	1450	1895	5475
	100.0	100.0	100.0	100.0



Table 139. The sex I have is always as safe as I want it to be (GAPSS)

	GAPSS offline survey round				Total	
	2002	2004	2006	2008		2011
Strongly agree	394	-	-	809	699	1902
	50.3	-	-	55.8	54.6	54.1
Agree	311	-	-	507	472	1290
	39.7	-	-	35.0	36.9	36.1
Disagree	57	-	-	111	96	264
	7.3	-	-	7.7	7.5	7.5
Strongly disagree	22	-	-	23	13	58
	2.8	-	-	1.6	1.0	1.7
Total	784	-	-	1450	1280	3514
	100.0	-	-	100.0	100.0	100.0

Table 140. The sex I have is always as safe as I want it to be (GOSS)

	GOSS online survey round		Total
	2008	2011	
Strongly agree	657	916	1573
	45.4	48.3	47.0
Agree	607	774	1381
	42.0	40.8	41.3
Disagree	150	175	325
	10.4	9.2	9.7
Strongly disagree	33	32	65
	2.3	1.7	1.9
Total	1447	1897	3344
	100.0	100.0	100.0

Table 141. In the last year I've seen safe sex messages that were relevant to me (GAPSS)

	GAPSS offline survey round		Total
	2008	2011	
Strongly agree	467	351	818
	33.2	27.6	30.6
Agree	697	682	1379
	49.6	53.6	51.5
Disagree	145	179	324
	10.3	14.1	12.1
Strongly disagree	96	61	157
	6.8	4.8	5.9
Total	1405	1273	2678
	100.0	100.0	100.0

Table 142. In the last year I've seen safe sex messages that were relevant to me (GOSS)

	GOSS online survey round		Total
	2008	2011	
Strongly agree	360	371	731
	24.8	20.2	22.2
Agree	785	1007	1792
	54.0	54.7	54.4
Disagree	216	357	573
	14.9	19.4	17.4
Strongly disagree	92	106	198
	6.3	5.8	6.0
Total	1453	1841	3294
	100.0	100.0	100.0

Table 143. I'd like to be better informed about HIV transmission risks (GAPSS)

GAPSS offline survey round		
	2011	Total
Strongly agree	397 29.7	397 29.7
Agree	584 45.8	584 45.8
Disagree	252 19.8	252 19.8
Strongly disagree	60 4.7	60 4.7
Total	1275 100.0	1275 100.0

Table 144. I'd like to be better informed about HIV transmission risks (GOSS)

GOSS online survey round		
	2011	Total
Strongly agree	506 26.6	506 26.6
Agree	895 47.1	895 47.1
Disagree	418 22.0	418 22.0
Strongly disagree	83 4.4	83 4.4
Total	1902 100.0	1902 100.0

Table 145. I'd like to be better informed about anal health (GAPSS)

	GAPSS offline survey round	
	2011	Total
Strongly agree	394 30.9	394 30.9
Agree	639 50.2	639 50.2
Disagree	206 16.2	206 16.2
Strongly disagree	35 2.8	35 2.8
Total	1274 100.0	1274 100.0

Table 146. I'd like to be better informed about anal health (GOSS)

	GOSS online survey round	
	2011	Total
Strongly agree	611 32.1	611 32.1
Agree	959 50.4	959 50.4
Disagree	270 14.2	270 14.2
Strongly disagree	62 3.3	62 3.3
Total	1902 100.0	1902 100.0

Table 147. I would never be willing to use condoms for anal sex (GAPSS)

	GAPSS offline survey round	
	2011	Total
Strongly agree	60 4.7	60 4.7
Agree	59 4.6	59 4.6
Disagree	262 20.6	262 20.6
Strongly disagree	893 70.1	893 70.1
Total	1274 100.0	1274 100.0

Table 148. I would never be willing to use condoms for anal sex (GOSS)

	GOSS online survey round	
	2011	Total
Strongly agree	72 3.9	72 3.9
Agree	56 3.1	56 3.1
Disagree	516 28.1	516 28.1
Strongly disagree	1193 64.9	1193 64.9
Total	1837 100.0	1837 100.0

Table 149. There is a condom culture among the men I have sex with (GAPSS)

	GAPSS offline survey round	
	2011	Total
Strongly agree	305 24.7	305 24.7
Agree	624 50.6	624 50.6
Disagree	233 18.9	233 18.9
Strongly disagree	71 5.8	71 5.8
Total	1233 100.0	1233 100.0

Table 150. There is a condom culture among the men I have sex with (GOSS)

	GOSS online survey round	
	2011	Total
Strongly agree	347 19.0	347 19.0
Agree	859 47.1	859 47.1
Disagree	505 27.7	505 27.7
Strongly disagree	112 6.1	112 6.1
Total	1823 100.0	1823 100.0

## Internet

Table 151. In the last six months, have you had sex with a man you met on the Internet? (GAPSS)

	GAPSS offline survey round					Total
	2002	2004	2006	2008	2011*	
Yes	204 26.6	513 44.8	470 41.7	644 44.5	376 29.5	- -
No	520 67.9	633 55.2	658 58.3	803 55.5	476 37.4	- -
Yes but not <6 mths					422 33.1	- -
N/A	42 5.5					- -
Total	766 100.0	1146 100.0	1128 100.0	1447 100.0	1274 100.0	- -

\*Note change of response options for 2011.

Table 152. In the last six months, have you had sex with a man you met on the Internet? (GOSS)

	GOSS online survey round			Total
	2006	2008	2011*	
Yes	1560 74.9	1111 83.4	1297 68.1	- -
No	524 25.1	222 16.7	156 8.2	- -
Yes but not <6 mths			452 23.7	- -
N/A				- -
Total	2084 100.0	1333 100.0	1905 100.0	- -

\*Note change of response options for 2011.

Table 153. Frequency going online to look for men in the last month (GOSS)

	GOSS online survey round			Total
	2006	2008	2011	
> once a day	426 20.0	338 23.1	445 23.4	1209 22.0
Once a day	414 19.5	275 18.8	349 18.3	1038 18.9
Few days a week	539 25.3	414 28.3	553 29.1	1506 27.4
Once a week	175 8.2	113 7.7	164 8.6	452 8.2
2-3 times Last month	152 7.2	84 5.7	137 7.2	373 6.8
Once last month	131 6.2	74 5.1	104 5.5	309 5.6
Not at all	290 13.6	167 11.4	151 7.8	608 11.1
Total	2127 100.0	1465 100.0	1903 100.0	5495 100.0

## Social media

Table 154. Frequency of visiting GayNZ.com website (GAPSS)

	GAPSS offline survey round					Total
	2002	2004	2006	2008	2011	
Never/ rarely				949 65.8	- -	949 65.8
Monthly				223 15.5	- -	223 15.5
Weekly				173 12.0	- -	173 12.0
Daily				97 6.7	- -	97 6.7
Total				1442 100.0	- -	1442 100.0

Table 155. Frequency of visiting GayNZ.com website (GOSS)

	GOSS online survey round			Total
	2006	2008	2011	
Never/ rarely		1012 71.0	- -	1012 71.0
Monthly		145 10.2	- -	145 10.2
Weekly		143 10.0	- -	143 10.0
Daily		125 8.8	- -	125 8.8
Total		1425 100.0	- -	1425 100.0



Table 156. Frequency of visiting Expresstoday.co.nz website (GAPSS)

	GAPSS offline survey round				Total	
	2002	2004	2006	2008		2011
Never/ rarely				1173 87.4	- -	1173 87.4
Monthly				110 8.2	- -	110 8.2
Weekly				51 3.8	- -	51 3.8
Daily				8 0.6	- -	8 0.6
Total				1342 100.0	- -	1342 100.0

Table 157. Frequency of visiting Expresstoday.co.nz website (GOSS)

	GOSS online survey round			Total
	2006	2008	2011	
Never/ rarely		1301 94.1	- -	1301 94.1
Monthly		37 2.7	- -	37 2.7
Weekly		25 1.8	- -	25 1.8
Daily		19 1.4	- -	19 1.4
Total		1382 100.0	- -	1382 100.0

Table 158. Frequency of reading Express magazine (GAPSS)

	GAPSS offline survey round				Total	
	2002	2004	2006	2008		2011
Never				262	-	262
				18.3	-	18.3
Rarely				390	-	390
				27.2	-	27.2
Usually				457	-	457
				31.9	-	31.9
Often				326	-	326
				22.7	-	22.7
Total				1435	-	1435
				100.0	-	100.0

Table 159. Frequency of reading Express magazine (GOSS)

	GOSS online survey round			Total
	2006	2008	2011	
Never		784	-	784
		54.4	-	54.4
Rarely		288	-	288
		20.0	-	20.0
Usually		247	-	247
		17.1	-	17.1
Often		122	-	122
		8.5	-	8.5
Total		1441	-	1441
		100.0	-	100.0

Table 160. Active Internet profile on various websites (GAPSS)

	GAPSS offline survey round					Total
	2002	2004	2006	2008	2011	
Facebook				529		
				37.4		
Myspace				230		
				16.3		
Bebo				299		
				21.2		
NZdating				571		
				40.0		
Gaydar				300		
				21.3		
Gay.co.nz				194		
				13.8		
Dudesnude				89		
				6.3		
GayNZ.com personals				93		
				6.6		
Squirt				93		
				6.6		
Other sites				126		
				9.6		
Total*				*		
				100.0	-	-

\*Note denominator varies with each question due to missing values.

Table 161. Active Internet profile on various websites (GOSS)

	GOSS online survey round			Total
	2006	2008	2011	
Facebook		551		
		38.3		
Myspace		296		
		20.6		
Bebo		523		
		36.3		
NZdating		1327		
		91.2		
Gaydar		406		
		28.3		
Gay.co.nz		341		
		23.7		
Dudesnude		136		
		9.5		
GayNZ.com personals		170		
		11.8		
Squirt		223		
		15.5		
Other sites		191		
		13.3		
Total*		*		
		100.0	-	-

\*Note denominator varies with each question due to missing values.

Table 162. Frequency of using Express magazine (GAPSS)

	GAPSS offline survey round					Total
	2002	2004	2006	2008	2011	
Never					275	275
					23.3	23.3
Sometimes					530	530
					44.8	44.8
Often					377	377
					31.9	31.9
Total					1182	1182
					100.0	100.0

Table 163. Frequency of using Express magazine (GOSS)

	GOSS online survey round			Total
	2006	2008	2011	
Never			1081	1081
			62.7	62.7
Sometimes			501	501
			29.1	29.1
Often			142	142
			8.2	8.2
Total			1724	1724
			100.0	100.0

Table 164. Frequency of using GayNZ.com (GAPSS)

	GAPSS offline survey round					Total
	2002	2004	2006	2008	2011	
Never					450	450
					42.2	42.2
Sometimes					397	397
					37.4	37.4
Often					215	215
					20.2	20.2
Total					1062	1062
					100.0	100.0

Table 165. Frequency of using GayNZ.com (GOSS)

	GOSS online survey round			Total
	2006	2008	2011	
Never			1020	1020
			59.7	59.7
Sometimes			531	531
			31.1	31.1
Often			157	157
			9.2	9.2
Total			1708	1708
			100.0	100.0

Table 166. Frequency of using Facebook (GAPSS)

	GAPSS offline survey round					Total
	2002	2004	2006	2008	2011	
Never					185	185
					16.6	16.6
Sometimes					189	189
					16.9	16.9
Often					743	743
					66.5	66.5
Total					1117	1117
					100.0	100.0

Table 167. Frequency of using Facebook (GOSS)

	GOSS online survey round			Total
	2006	2008	2011	
Never			343	343
			19.5	19.5
Sometimes			336	336
			19.1	19.1
Often			1079	1079
			61.4	61.4
Total			1758	1758
			100.0	100.0

Table 168. Frequency of using NZDating (GAPSS)

	GAPSS offline survey round					Total
	2002	2004	2006	2008	2011	
Never					506	506
					47.2	47.2
Sometimes					258	258
					24.1	24.1
Often					308	308
					28.7	28.7
Total					1072	1072
					100.0	100.0

Table 169. Frequency of using NZDating (GOSS)

	GOSS online survey round			Total
	2006	2008	2011	
Never			132	132
			7.1	7.1
Sometimes			451	451
			24.3	24.3
Often			1276	1276
			68.6	68.6
Total			1859	1859
			100.0	100.0

Table 170. Frequency of using BroOnline (GAPSS)

	GAPSS offline survey round					Total
	2002	2004	2006	2008	2011	
Never					879	879
					88.3	88.3
Sometimes					83	83
					8.3	8.3
Often					33	33
					3.3	3.3
Total					995	995
					100.0	100.0

Table 171. Frequency of using BroOnline (GOSS)

	GOSS online survey round			Total
	2006	2008	2011	
Never			1378	1378
			82.2	82.2
Sometimes			242	242
			14.4	14.4
Often			56	56
			3.3	3.3
Total			1676	1676
			100.0	100.0

Table 172. Frequency of using GetitOn.co.nz (GAPSS)

	GAPSS offline survey round					Total
	2002	2004	2006	2008	2011	
Never					858	858
					86.6	86.6
Sometimes					108	108
					10.9	10.9
Often					25	25
					2.5	2.5
Total					991	991
					100.0	100.0

Table 173. Frequency of using GetitOn.co.nz (GOSS)

	GOSS online survey round			Total
	2006	2008	2011	
Never			1504	1504
			90.3	90.3
Sometimes			131	131
			7.9	7.9
Often			30	30
			1.8	1.8
Total			1665	1665
			100.0	100.0

Table 174. Frequency of using Gay.co.nz (GAPSS)

	GAPSS offline survey round					Total
	2002	2004	2006	2008	2011	
Never					720 70.4	720 70.4
Sometimes					239 23.3	239 23.3
Often					69 6.7	69 6.7
Total					1028 100.0	1028 100.0

Table 175. Frequency of using Gay.co.nz (GOSS)

	GOSS online survey round			Total
	2006	2008	2011	
Never			1149 67.2	1149 67.2
Sometimes			393 23.0	393 23.0
Often			168 9.8	168 9.8
Total			1710 100.0	1710 100.0

Table 176. Frequency of using Gaydar (GAPSS)

	GAPSS offline survey round					Total
	2002	2004	2006	2008	2011	
Never					754 73.1	754 73.1
Sometimes					180 17.4	180 17.4
Often					98 9.5	98 9.5
Total					1032 100.0	1032 100.0

Table 177. Frequency of using Gaydar (GOSS)

	GOSS online survey round			Total
	2006	2008	2011	
Never			1211 71.5	1211 71.5
Sometimes			338 19.9	338 19.9
Often			146 8.6	146 8.6
Total			1695 100.0	1695 100.0

Table 178. Frequency of using Grindr (GAPSS)

	GAPSS offline survey round					Total
	2002	2004	2006	2008	2011	
Never					799	799
					78.3	78.3
Sometimes					107	107
					10.5	10.5
Often					114	114
					11.2	11.2
Total					1020	1020
					100.0	100.0

Table 179. Frequency of using Grindr (GOSS)

	GOSS online survey round			Total
	2006	2008	2011	
Never			1417	1417
			84.7	84.7
Sometimes			123	123
			7.4	7.4
Often			133	133
			8.0	8.0
Total			1673	1673
			100.0	100.0



